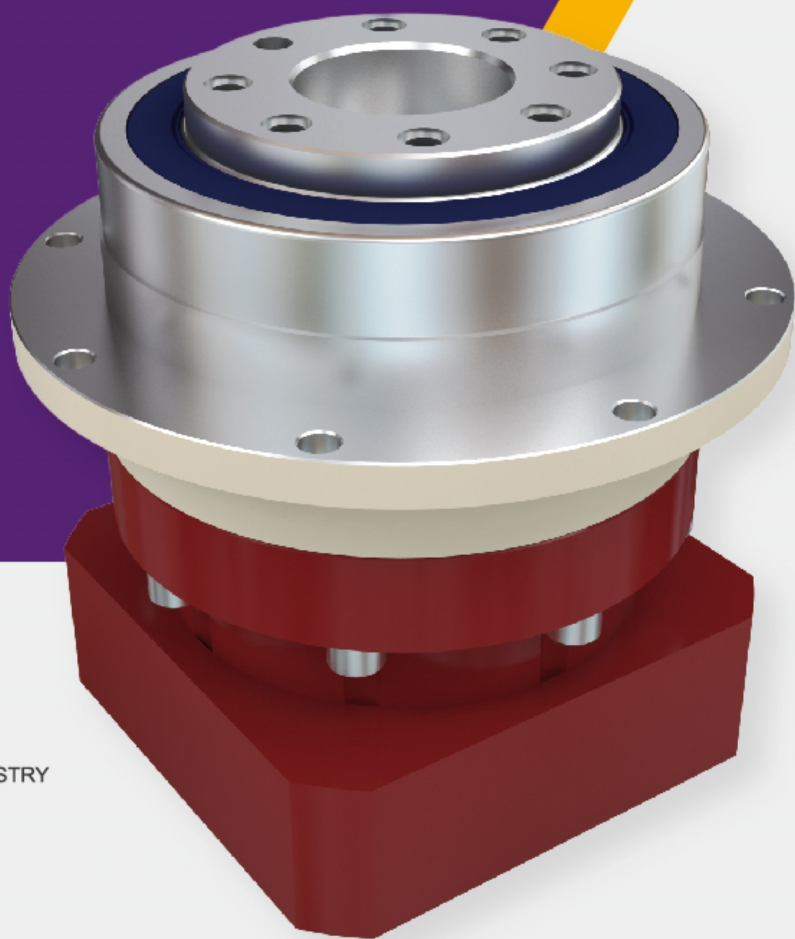


BORN FOR  
PRECISION  
為精密而生



傳動裝置系統供應商  
樹立減速機行業新標桿

TRANSMISSION SYSTEM SUPPLIERS  
SET A NEW BENCHMARK FOR THE REDUCER INDUSTRY

東莞市精杰機電有限公司  
DONGGUAN JINGJIE ELECTROMECHANICAL CO., LTD



## FKBR系列—低速比，高性能

FKBR SERIES—LOW SPEED RATIO, HIGH PERFORMANCE

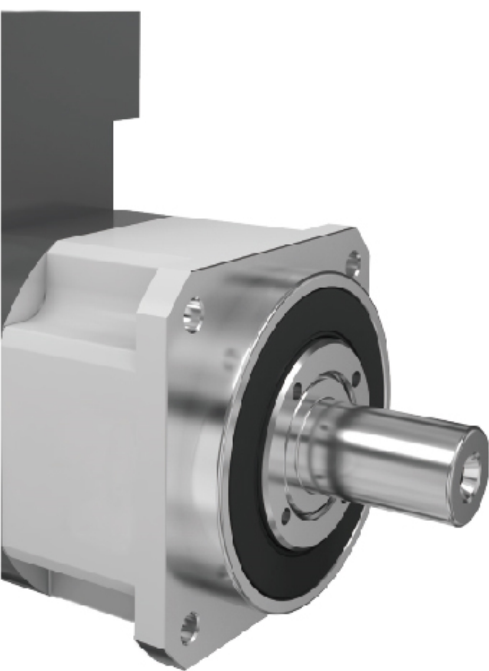


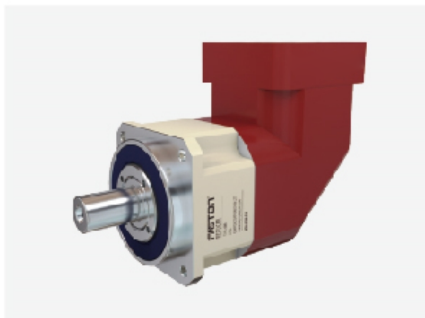
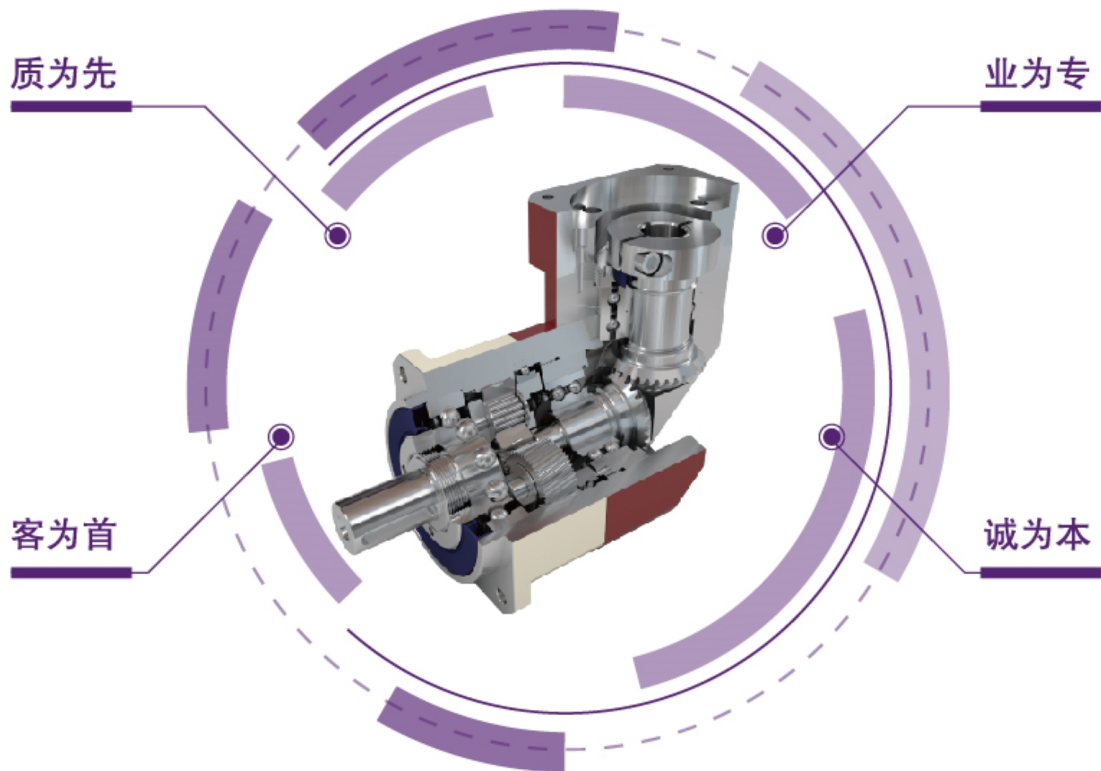
FKBR系列效率更高, 运行更佳, 更低的运行噪音;  
该系列新型产品以低运行噪音, 坚实的结构  
及其更为简单易行的安装方式更加值得信赖。

The FKBR series has higher efficiency, better operation and lower running noise; the new-type products of this series are more trustworthy with low running noise, solid structure and easier installation.

### 技术参数\* TECHNICAL PARAMETERS

回程间隙 Return clearance	arcmin	2~9
速比 Speed ratio	i	3~100
额定输出力矩 Rated output torque	Nm	14~2000
使用温度°C Using temperature°C	°C	-10~90
噪音 The noise	dB(A)	61~72
工作效率 The work efficiency	%	95
工作寿命 The working life	h	20000

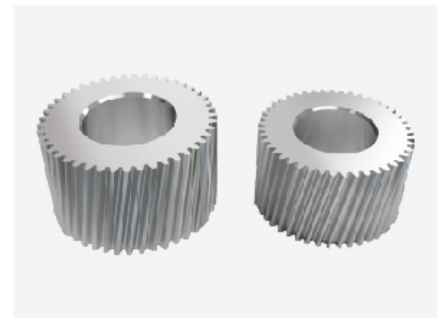




FKBR系列—低速比, 高性能  
FKBR series-low speed ratio, high performance



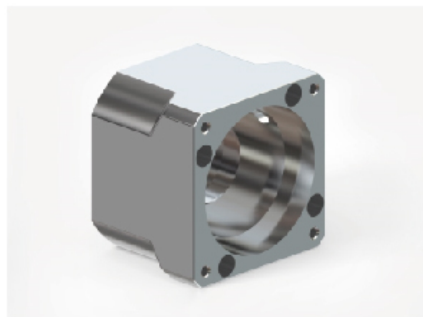
出力轴为研磨光面处理, 与油封搭配确保最低摩擦系数和启动负载  
The output shaft is treated with abrasive finish and matched with oil seal to ensure minimum friction coefficient and starting load



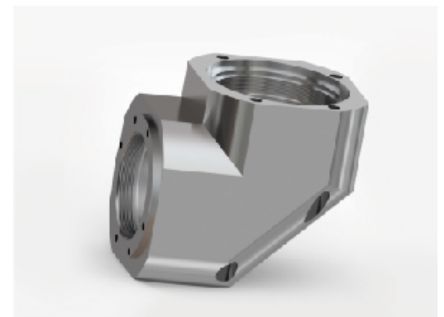
齿面宽, 参数做大, 实现高强度  
The tooth surface is wide, the parameters are larger, and the high strength is achieved



用螺旋伞齿轮, 高精度咬合, 低背隙, 低噪音  
With spiral bevel gear, high precision occlusion, low back clearance, low noise



锁紧环经动平衡分析, 确保连转中, 同心度和零滑差传递  
The dynamic balance analysis of the locking ring ensures the concentricity and zero slip transfer in the continuous rotation



高精度一体化角块系统  
High precision integrated corner block system

减速机性能资料 REDUCER PERFORMANCE DATA

FKBR042			单级/One-stage								双级/Two-stage									
速比 <sup>(1)</sup> Speed ratio	i		3	4	5	6	7	8	9	10	12	16	20	25	35	40	50	70	100	
额定输出力矩( $n_{1N}$ ) Rated output torque	$T_{2N}$	Nm	20	19	22	20	19	17	14	14	20	19	19	22	19	17	22	19	14	
紧急制动力矩 Emergency braking torque (在减速机工作寿命内允许1000次) (1000 times during the working life of the reducer)	$T_{2NOT}$	Nm	3倍额定输出力矩/3 Times rated output torque																	
额定输入转速( $T_{2n}$ , 20°C环境温度) Rated input speed ( $T_{2n}$ , 20 °C ambient temperature)	$n_{1N}$	rpm	5000																	
最大输入转速 Maximum input speed	$n_{1max}$	rpm	10000																	
空载力矩( $n_1=3000rpm$ , 20°C环境温度) No-load torque ( $n_1=3000$ RPM, 20°C ambient temperature)	$T_{012}$	Nm	0.5	0.4	0.4	0.3	0.3	0.2	0.2	0.2	0.4	0.3	0.3	0.3	0.3	0.3	0.2	0.2	0.1	
回程间隙PS Backlash PS	$j_t$	Arcmin	≤2								≤3									
回程间隙P0 Backlash P0	$j_t$	Arcmin	≤4								≤5									
回程间隙P1 Backlash P1	$j_t$	Arcmin	≤6								≤7									
回程间隙P2 Backlash P2	$j_t$	Arcmin	≤8								≤9									
扭转刚度 Torsional stiffness	$C_{t21}$	Nm/Arcmin	3																	
最大轴向力 <sup>(2)</sup> Maximum axial force	$F_{2AMax}$	N	390																	
最大径向力 <sup>(2)</sup> Maximum radial force	$F_{2RMMax}$	N	780																	
工作效率 Work efficiency	$\eta$	%	95								92									
工作寿命 <sup>(3)</sup> Service life	$L_h$	h	20000																	
噪音( $i=10$ 和 $n_1=3000rpm$ , 空载) Noise( $i=10$ and $n_1=3000rpm$ , no load)	$L_{PA}$	DB(A)	≤61																	
重量 Weight	m	Kg	0.9								1.2									
安装方向 Installation direction			任意方向/Any direction																	
使用温度 <sup>(4)</sup> Operating temperature	$^{\circ}C$		-10-90																	
润滑方式 Lubrication method			终生润滑/Lifetime lubrication																	
防护等级 Protection level			IP65																	
转动惯量 Moment of inertia 按减速机输入直径(mm) Input diameter based on the reducer (mm)	8	$J_1$	Kgcm <sup>2</sup>	0.07	0.06	0.05	0.05	0.04	0.03	0.03	0.03	0.03	0.03	0.03	0.03	0.03	0.02	0.02	0.02	
	11	$J_1$	Kgcm <sup>2</sup>	0.13	0.13	0.12	0.12	0.12	0.11	0.07	0.06	0.1	0.1	0.08	0.08	0.07	0.07	0.06	0.06	0.05
	14	$J_1$	Kgcm <sup>2</sup>	0.16	0.16	0.14	0.14	0.13	0.12	0.09	0.08	0.12	0.12	0.11	0.1	0.1	0.09	0.09	0.07	0.06

1. 可选其他减速比  
2. 输出轴中心点  
3. 连续运转时, 使用寿命为10000h  
4. 对温度有特殊要求请与法斯頓联系

1. Optional other ratio  
2. Output shaft center point  
3. Service life of 10000h in continuous operation  
4. For special requirements on temperature, please contact FASTON



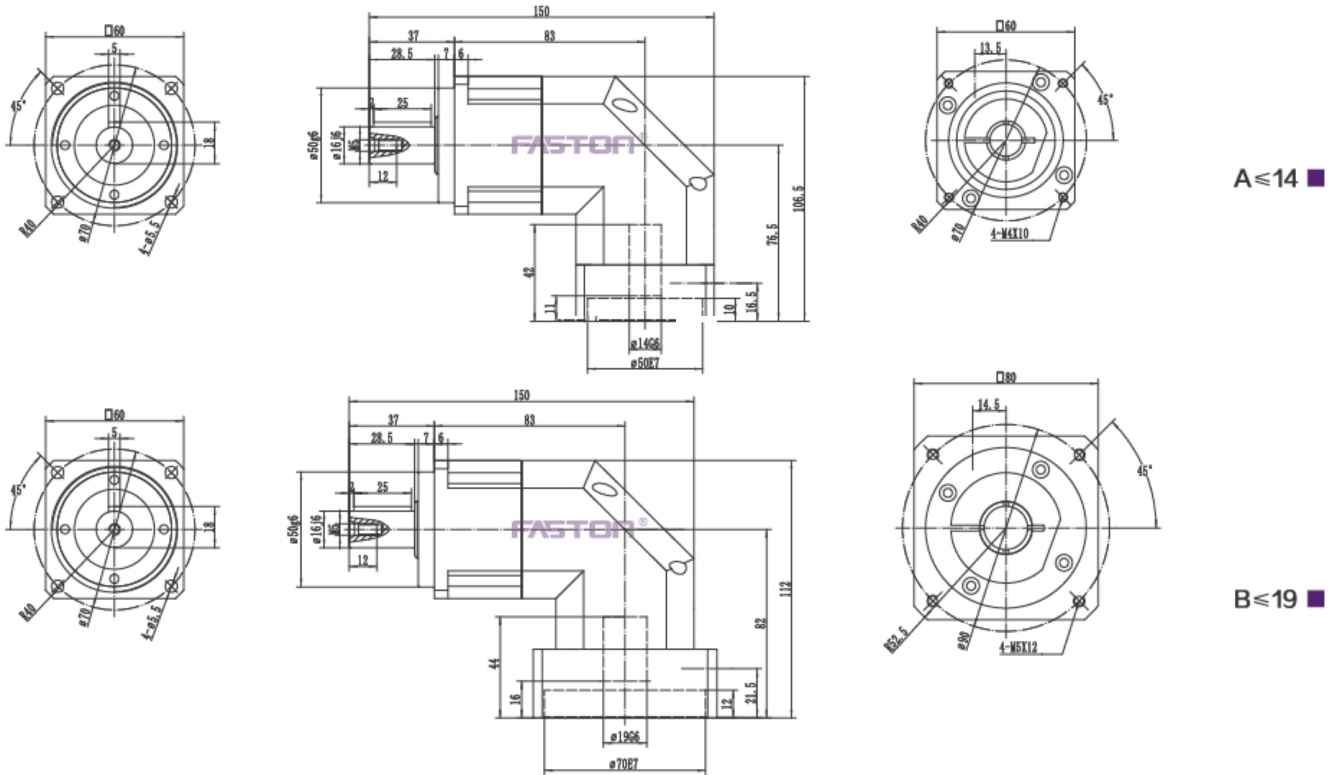
FKBR060			单级/One-stage												双级/Two-stage									
速比 <sup>(1)</sup> Speed ratio	i		3	4	5	6	7	8	9	10	12	16	20	25	30	35	40	50	60	70	80	100		
额定输出力矩(n <sub>1N</sub> ) Rated output torque	T <sub>2N</sub>	Nm	55	50	60	55	50	45	40	40	55	45	40	60	55	50	50	55	55	50	45	40		
紧急制动力矩 Emergency braking torque (在减速机工作寿命内允许1000次) (1000 times during the working life of the reducer)	T <sub>2NOT</sub>	Nm	3倍额定输出力矩/3 Times rated output torque																					
额定输入转速(T <sub>2n</sub> , 20℃环境温度) Rated input speed (T <sub>2n</sub> , 20 °C ambient temperature)	n <sub>1N</sub>	rpm	4000																					
最大输入转速 Maximum input speed	n <sub>1max</sub>	rpm	8000																					
空载力矩(n <sub>1</sub> =3000rpm, 20℃环境温度) No-load torque (n <sub>1</sub> =3000 RPM, 20℃ ambient temperature)	T <sub>012</sub>	Nm	0.9	0.8	0.8	0.7	0.6	0.5	0.5	0.4	0.5	0.4	0.3	0.6	0.6	0.55	0.5	0.5	0.4	0.4	0.35	0.3		
回程间隙PS Backlash PS	j <sub>t</sub>	Arcmin	≤2										≤3											
回程间隙P0 Backlash P0	j <sub>t</sub>	Arcmin	≤4										≤5											
回程间隙P1 Backlash P1	j <sub>t</sub>	Arcmin	≤6										≤7											
回程间隙P2 Backlash P2	j <sub>t</sub>	Arcmin	≤8										≤9											
扭转刚度 Torsional stiffness	C <sub>t21</sub>	Nm/Arcmin	4.5																					
最大轴向力 <sup>(2)</sup> Maximum axial force	F <sub>2AMax</sub>	N	770																					
最大径向力 <sup>(2)</sup> Maximum radial force	F <sub>2RMax</sub>	N	1550																					
工作效率 Work efficiency	η	%	95										92											
工作寿命 <sup>(3)</sup> Service life	L <sub>h</sub>	h	20000																					
噪音(i=10和n <sub>1</sub> =3000rpm, 空载) Noise (i=10 and n <sub>1</sub> =3000rpm, no load)	L <sub>PA</sub>	DB(A)	≤63																					
重量 Weight	m	Kg	2.1										2.8											
安装方向 Installation direction			任意方向/Any direction																					
使用温度 <sup>(4)</sup> Operating temperature	℃		-10~90																					
润滑方式 Lubrication method			终生润滑/Lifetime lubrication																					
防护等级 Protection level			IP65																					
转动惯量 Moment of inertia 按减速机输入直径(mm) Input diameter based on the reducer (mm)	11	J <sub>1</sub>	Kgcm <sup>2</sup>	0.25	0.2	0.2	0.15	0.13	0.12	0.1	0.1	0.09	0.09	0.08	0.1	0.1	0.09	0.08	0.08	0.08	0.08	0.08	0.08	
	14	J <sub>1</sub>	Kgcm <sup>2</sup>	0.28	0.25	0.25	0.22	0.18	0.17	0.15	0.14	0.14	0.13	0.12	0.17	0.17	0.17	0.16	0.16	0.16	0.16	0.16	0.15	
	19	J <sub>1</sub>	Kgcm <sup>2</sup>	0.65	0.6	0.55	0.55	0.52	0.5	0.5	0.48	0.48	0.45	0.42	0.18	0.18	0.16	0.15	0.15	0.15	0.15	0.14	0.14	

1. 可选其他减速比
2. 输出轴中心点
3. 连续运转时, 使用寿命为10000h
4. 对温度有特殊要求请与法斯頓联系

1. Optional other ratio
2. Output shaft center point
3. Service life of 10000h in continuous operation
4. For special requirements on temperature, please contact FASTON

# 减速机性能资料 REDUCER PERFORMANCE DATA

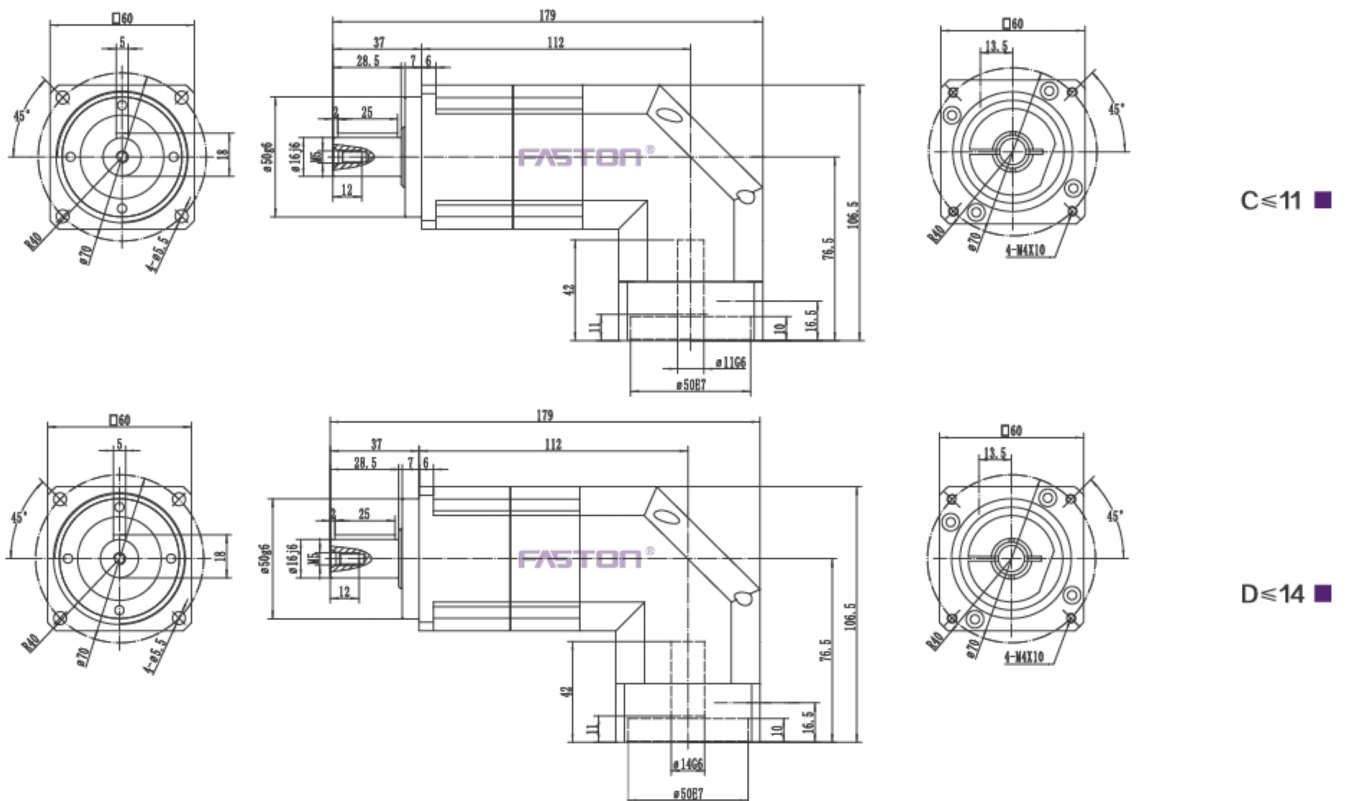
## 单级/One-stage



A ≦ 14 ■

B ≦ 19 ■

## 双级/Two-stage



C ≦ 11 ■

D ≦ 14 ■

- (1) 请参照马达轴径尺寸
  - (2) 马达轴最长长度, 如有特殊的马达轴尺寸, 请与法斯頓联系
  - (3) 减速机输入端尺寸, 依马达的法兰面而定
- \*如无适合的尺寸, 请与法斯頓联系

- (1) Please refer to the motor shaft diameter
  - (2) Motor shaft length, for special motor shaft size, please contact FASTON
  - (3) Reducer input size, depending on the flange surface of the motor
- \*If no suitable size available, please contact FASTON

FKBR090			单级/One-stage													双级/Two-stage												
速比 <sup>(1)</sup> Speed ratio	i		3	4	5	6	7	8	9	10	12	16	20	25	30	35	40	50	60	70	80	100						
额定输出力矩(n <sub>1N</sub> ) Rated output torque	T <sub>2N</sub>	Nm	130	140	160	140	140	120	100	100	120	120	100	160	130	140	140	160	140	140	120	100						
紧急制动力矩 Emergency braking torque (在减速机工作寿命内允许1000次) (1000 times during the working life of the reducer)	T <sub>2NOT</sub>	Nm	3倍额定输出力矩/3 Times rated output torque																									
额定输入转速(T <sub>2N</sub> , 20°C环境温度) Rated input speed (T <sub>2N</sub> , 20 °C ambient temperature)	n <sub>1N</sub>	rpm	3000																									
最大输入转速 Maximum input speed	n <sub>1max</sub>	rpm	6000																									
空载力矩(n <sub>1</sub> =3000rpm, 20°C环境温度) No-load torque (n <sub>1</sub> =3000 RPM, 20°C ambient temperature)	T <sub>012</sub>	Nm	2	1.9	1.8	1.8	1.7	1.5	1.3	1.1	1.2	1.1	1.0	0.9	0.8	0.7	0.6	0.5	0.5	0.4	0.3	0.3						
回程间隙PS Backlash PS	j <sub>t</sub>	Arcmin	≤2										≤3															
回程间隙P0 Backlash P0	j <sub>t</sub>	Arcmin	≤4										≤5															
回程间隙P1 Backlash P1	j <sub>t</sub>	Arcmin	≤6										≤7															
回程间隙P2 Backlash P2	j <sub>t</sub>	Arcmin	≤8										≤9															
扭转刚度 Torsional stiffness	C <sub>t21</sub>	Nm/Arcmin	14																									
最大轴向力 <sup>(2)</sup> Maximum axial force	F <sub>2AMax</sub>	N	1630																									
最大径向力 <sup>(2)</sup> Maximum radial force	F <sub>2RMax</sub>	N	3250																									
工作效率 Work efficiency	η	%	95										92															
工作寿命 <sup>(3)</sup> Service life	L <sub>h</sub>	h	20000																									
噪音(i=10和n <sub>1</sub> =3000rpm, 空载) Noise(i=10 and n <sub>1</sub> =3000rpm, no load)	L <sub>PA</sub>	DB(A)	≤65																									
重量 Weight	m	Kg	6.5										7.8															
安装方向 Installation direction	任意方向/Any direction																											
使用温度 <sup>(4)</sup> Operating temperature	°C		-10~90																									
润滑方式 Lubrication method	终生润滑/Lifetime lubrication																											
防护等级 Protection level	IP65																											
转动惯量 Moment of inertia 按减速机输入直径(mm) Input diameter based on the reducer (mm)	14	J <sub>1</sub>	Kgcm <sup>2</sup>	0.25	0.2	0.2	0.15	0.13	0.12	0.1	0.1	0.09	0.09	0.08	0.25	0.23	0.21	0.2	0.18	0.18	0.18	0.16	0.16					
	19	J <sub>1</sub>	Kgcm <sup>2</sup>	0.28	0.25	0.25	0.22	0.18	0.17	0.15	0.14	0.14	0.13	0.12	0.7	0.7	0.7	0.7	0.7	0.7	0.6	0.5	0.5					
	22	J <sub>1</sub>	Kgcm <sup>2</sup>	0.65	0.6	0.55	0.55	0.52	0.5	0.5	0.48	0.48	0.45	0.42	0.8	0.8	0.7	0.7	0.7	0.7	0.65	0.6	0.6					

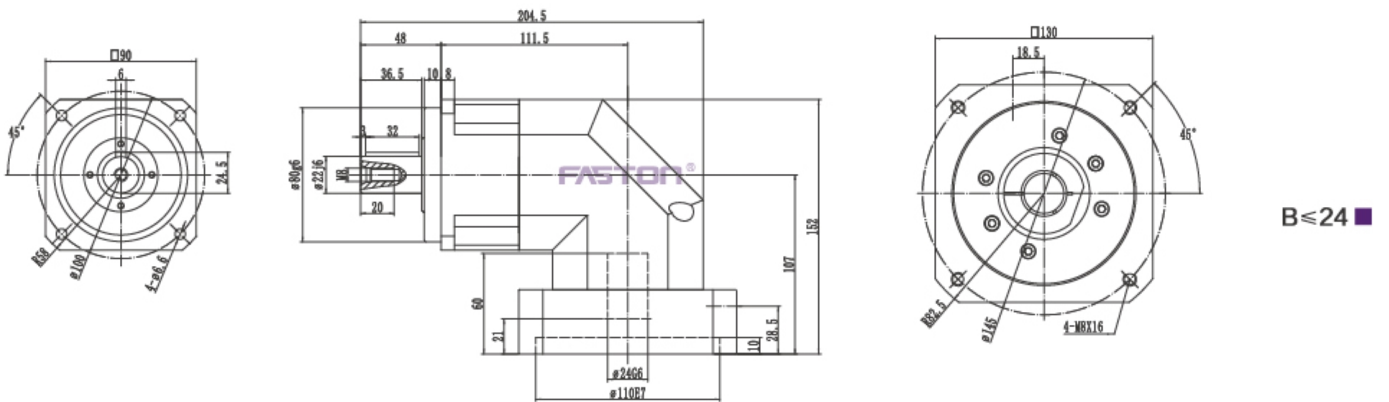
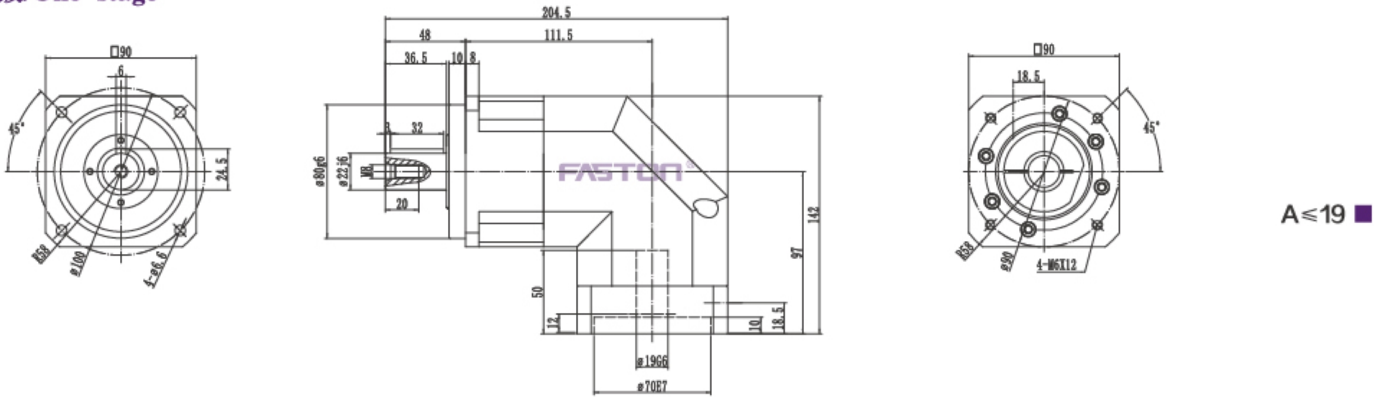
1. 可选其他减速比  
2. 输出轴中心点  
3. 连续运转时, 使用寿命为10000h  
4. 对温度有特殊要求请与法斯頓联系

1. Optional other ratio  
2. Output shaft center point  
3. Service life of 10000h in continuous operation  
4. For special requirements on temperature, please contact FASTON

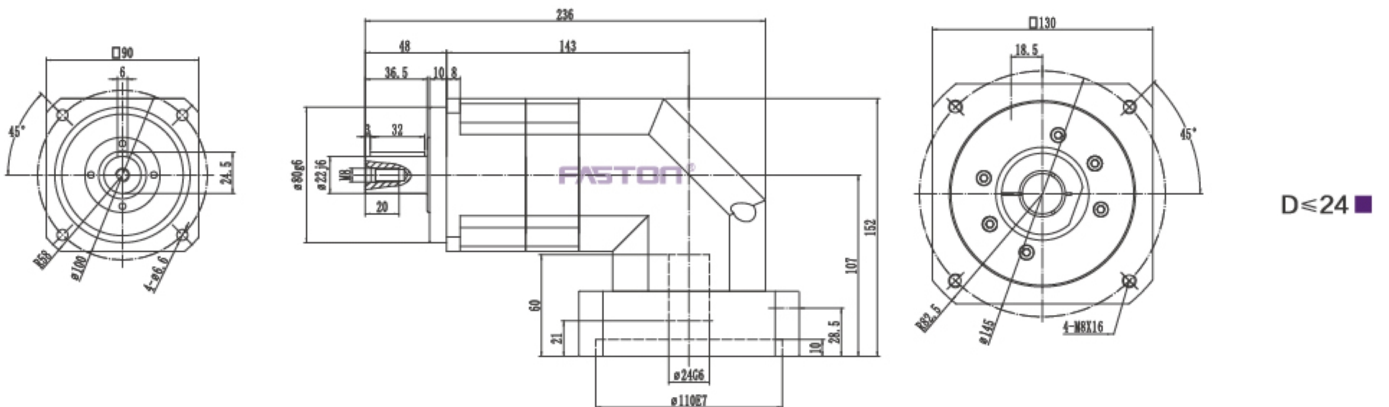
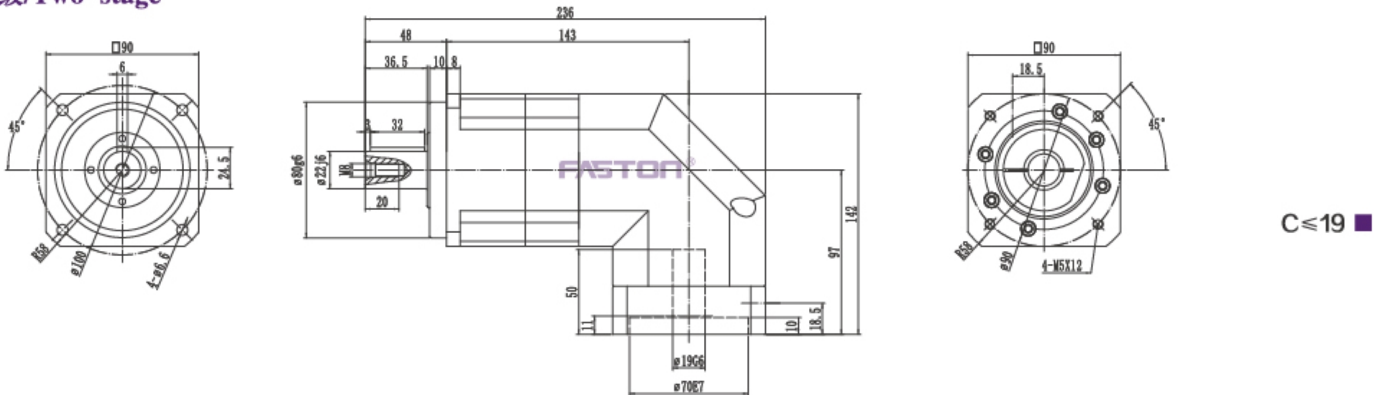


# 减速机性能资料 REDUCER PERFORMANCE DATA

## 单级/One-stage



## 双级/Two-stage



- (1) 请参照马达轴径尺寸
  - (2) 马达轴最长长度, 如有特殊的马达轴尺寸, 请与法斯頓联络
  - (3) 减速机输入端尺寸, 依马达的法兰面而定
- \*如无适合的尺寸, 请与法斯頓联系

- (1) Please refer to the motor shaft diameter
  - (2) Motor shaft length, for special motor shaft size, please contact FASTON
  - (3) Reducer input size, depending on the flange surface of the motor
- \*If no suitable size available, please contact FASTON

减速机性能资料 REDUCER PERFORMANCE DATA

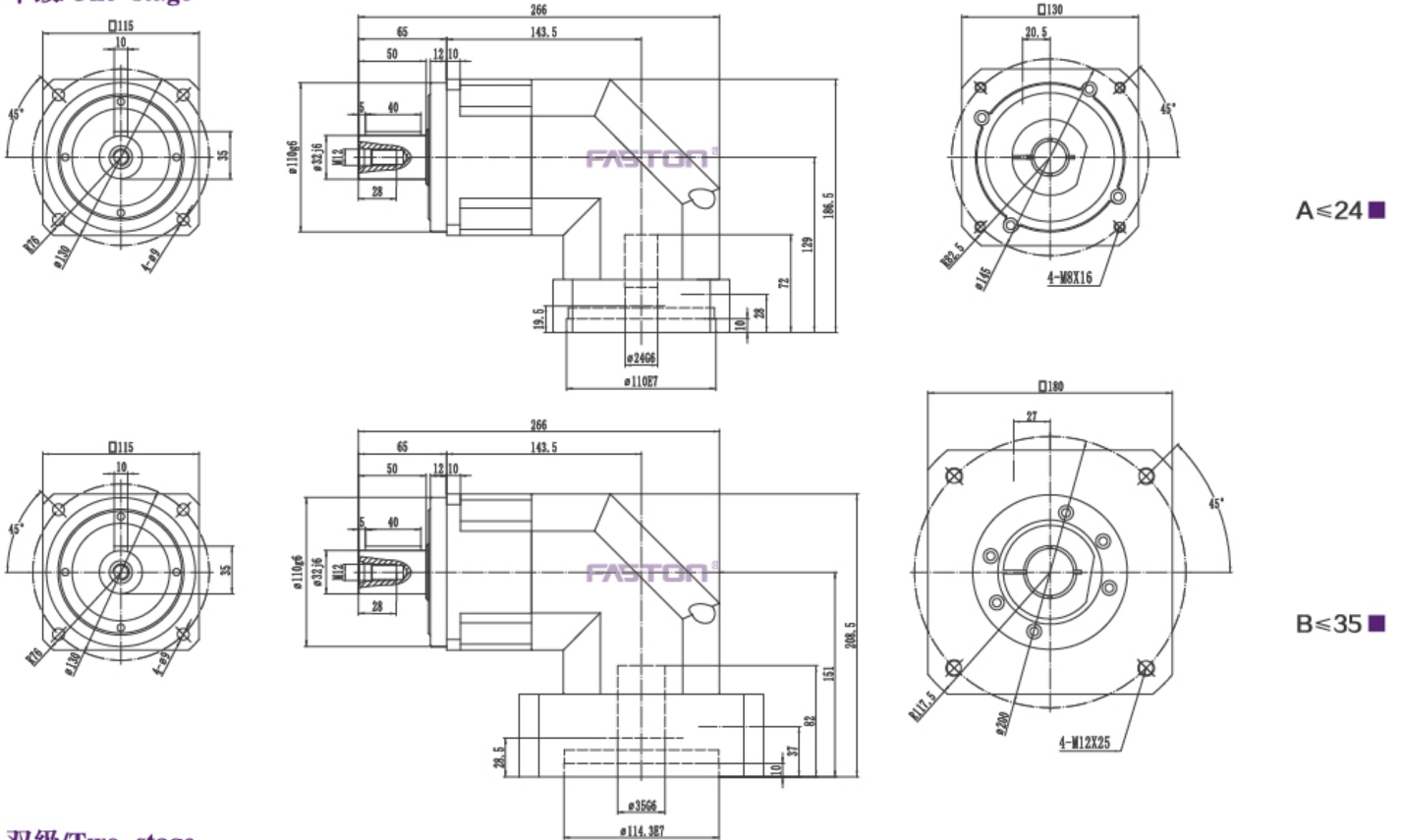
FKBR115			单级/One-stage										双级/Two-stage										
速比 <sup>(1)</sup> Speed ratio	i		3	4	5	6	7	8	9	10	12	16	20	25	30	35	40	50	60	70	80	100	
额定输出力矩(n <sub>1N</sub> ) Rated output torque	T <sub>2N</sub>	Nm	208	290	330	300	300	260	230	230	208	260	230	330	208	300	290	330	300	300	260	230	
紧急制动力矩 (在减速机工作寿命内允许1000次) (1000 times during the working life of the reducer)	T <sub>2NOT</sub>	Nm	3倍额定输出力矩/3 Times rated output torque																				
额定输入转速(T <sub>2n</sub> , 20°C环境温度) Rated input speed (T <sub>2n</sub> , 20 °C ambient temperature)	n <sub>1N</sub>	rpm	3000																				
最大输入转速 Maximum input speed	n <sub>1max</sub>	rpm	6000																				
空载力矩(n <sub>1</sub> =3000rpm, 20°C环境温度) No-load torque (n <sub>1</sub> =3000 RPM, 20°C ambient temperature)	T <sub>012</sub>	Nm	3.6	3	2.7	2.5	2	1.8	1.6	1.5	1.6	1.5	1.3	1.8	1.6	1.6	1.5	1.2	1	0.8	0.7	0.6	
回程间隙PS Backlash PS	j <sub>t</sub>	Arcmin	≤2										≤3										
回程间隙P0 Backlash P0	j <sub>t</sub>	Arcmin	≤4										≤5										
回程间隙P1 Backlash P1	j <sub>t</sub>	Arcmin	≤6										≤7										
回程间隙P2 Backlash P2	j <sub>t</sub>	Arcmin	≤8										≤9										
扭转刚度 Torsional stiffness	C <sub>t21</sub>	Nm/Arcmin	25																				
最大轴向力 <sup>(2)</sup> Maximum axial force	F <sub>2AMax</sub>	N	3350																				
最大径向力 <sup>(2)</sup> Maximum radial force	F <sub>2RMax</sub>	N	6700																				
工作效率 Work efficiency	η	%	95										92										
工作寿命 <sup>(3)</sup> Service life	L <sub>n</sub>	h	20000																				
噪音(i=10和n <sub>1</sub> =3000rpm, 空载) Noise(i=10 and n <sub>1</sub> =3000rpm, no load)	L <sub>PA</sub>	DB(A)	≤67																				
重量 Weight	m	Kg	13										14										
安装方向 Installation direction			任意方向/Any direction																				
使用温度 <sup>(4)</sup> Operating temperature	°C		-10-90																				
润滑方式 Lubrication method			终生润滑/Lifetime lubrication																				
防护等级 Protection level			IP65																				
转动惯量 Moment of inertia 按减速机输入直径(mm) Input diameter based on the reducer(mm)	14	J <sub>1</sub>	Kgcm <sup>2</sup>	3.5	3	2.6	2.2	2	1.8	1.6	1.5	1.5	1.4	1.3	0.7	0.7	0.7	0.7	0.7	0.6	0.5	0.5	
	19	J <sub>1</sub>	Kgcm <sup>2</sup>	4.8	4.6	4.5	4	3.5	3	2.7	2.5	2.5	2.3	2.1	2	1.8	1.8	1.7	1.7	1.6	1.4	1.4	1.4
	22	J <sub>1</sub>	Kgcm <sup>2</sup>	11.5	10.5	10	10	9.9	9.9	9.6	9.5	9	9	8.5	2.2	2.1	2.1	2	2	1.9	1.8	1.8	1.7

1. 可选其他减速比  
2. 输出轴中心点  
3. 连续运转时, 使用寿命为10000h  
4. 对温度有特殊要求请与法斯頓联系

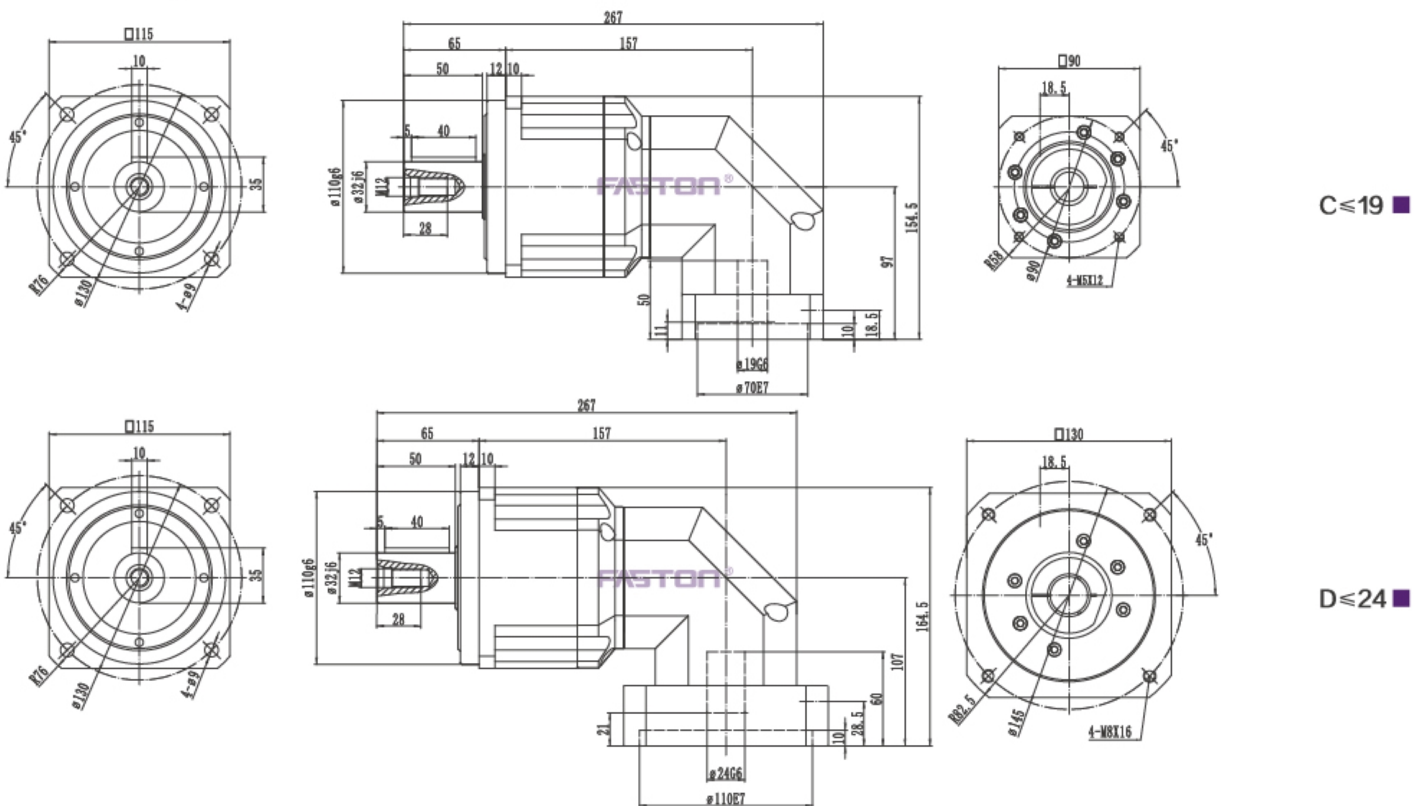
1. Optional other ratio  
2. Output shaft center point  
3. Service life of 10000h in continuous operation  
4. For special requirements on temperature, please contact FASTON

减速机性能资料 REDUCER PERFORMANCE DATA

单级/One-stage



双级/Two-stage



- (1) 请参照马达轴径尺寸
  - (2) 马达轴最长长度, 如有特殊的马达轴尺寸, 请与法斯顿联系
  - (3) 减速机输入端尺寸, 依马达的法兰面而定
- \*如无适合的尺寸, 请与法斯顿联系

- (1) Please refer to the motor shaft diameter
  - (2) Motor shaft length, for special motor shaft size, please contact FASTON
  - (3) Reducer input size, depending on the flange surface of the motor
- \*If no suitable size available, please contact FASTON

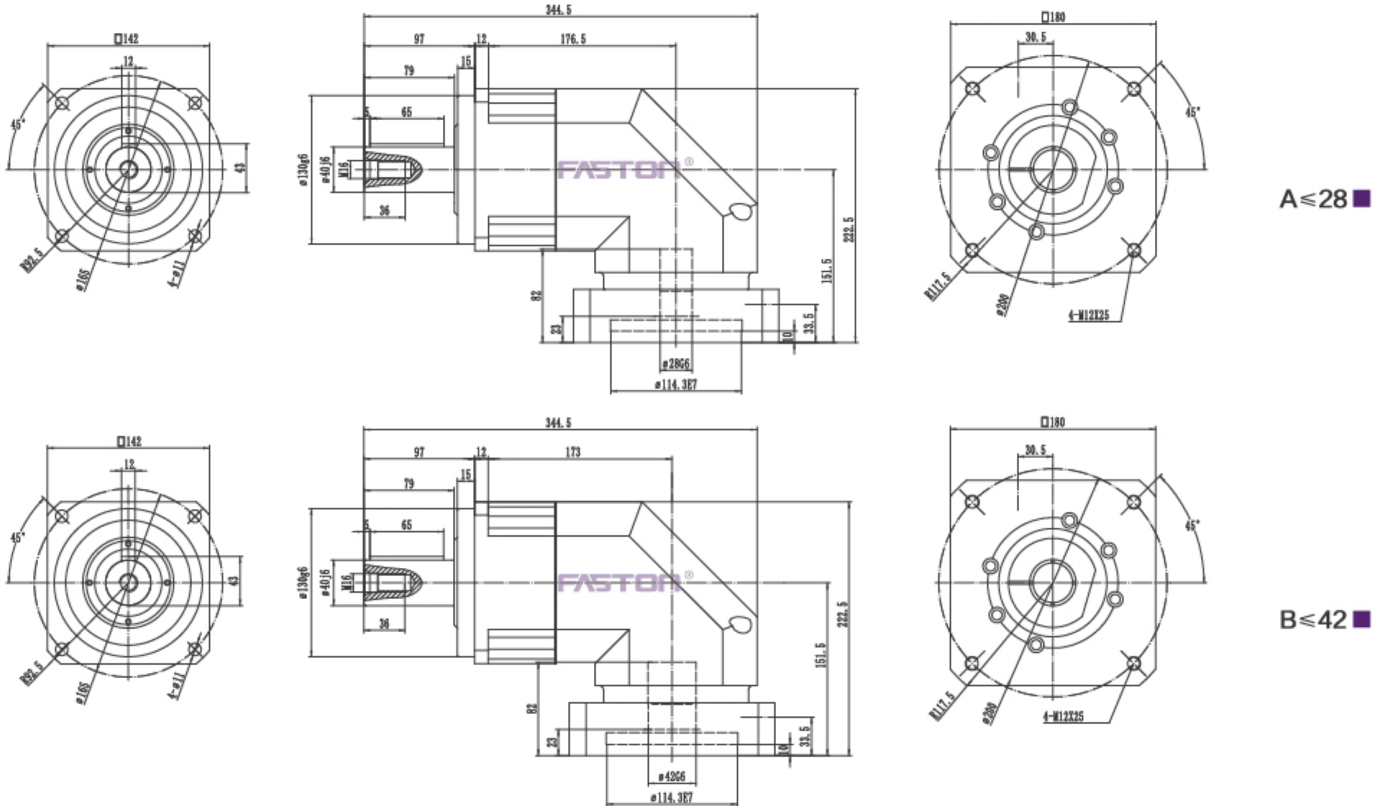
FKBR142			单级/One-stage												双级/Two-stage									
速比 <sup>(1)</sup> Speed ratio	i		3	4	5	6	7	8	9	10	12	16	20	25	30	35	40	50	60	70	80	100		
额定输出力矩(n <sub>1N</sub> ) Rated output torque	T <sub>2N</sub>	Nm	342	542	650	550	550	500	450	450	550	550	450	650	342	550	542	650	550	550	500	450		
紧急制动力矩 (在减速机工作寿命内允许1000次) Emergency braking torque (1000 times during the working life of the reducer)	T <sub>2NOT</sub>	Nm	3倍额定输出力矩/3 Times rated output torque																					
额定输入转速(T <sub>2N</sub> , 20°C环境温度) Rated input speed (T <sub>2N</sub> , 20 °C ambient temperature)	n <sub>1N</sub>	rpm	3000																					
最大输入转速 Maximum input speed	n <sub>1max</sub>	rpm	6000																					
空载力矩(n <sub>1</sub> =3000rpm, 20°C环境温度) No-load torque (n <sub>1</sub> =3000 RPM, 20°C ambient temperature)	T <sub>012</sub>	Nm	8	6	4.7	4.5	3.5	2.5	2.5	2.5	2.6	2.5	2.3	3.5	2.8	2.6	2.2	2.0	1.9	1.8	1.6	1.5		
回程间隙PS Backlash PS	j <sub>t</sub>	Arcmin	≤2												≤3									
回程间隙P0 Backlash P0	j <sub>t</sub>	Arcmin	≤4												≤5									
回程间隙P1 Backlash P1	j <sub>t</sub>	Arcmin	≤6												≤7									
回程间隙P2 Backlash P2	j <sub>t</sub>	Arcmin	≤8												≤9									
扭转刚度 Torsional stiffness	C <sub>t21</sub>	Nm/Arcmin	50																					
最大轴向力 <sup>(2)</sup> Maximum axial force	F <sub>2AMax</sub>	N	4700																					
最大径向力 <sup>(2)</sup> Maximum radial force	F <sub>2RMax</sub>	N	9400																					
工作效率 Work efficiency	η	%	95												92									
工作寿命 <sup>(3)</sup> Service life	L <sub>h</sub>	h	20000																					
噪音(i=10和n <sub>1</sub> =3000rpm, 空载) Noise(i=10 and n <sub>1</sub> =3000rpm, no load)	L <sub>PA</sub>	DB(A)	≤68																					
重量 Weight	m	Kg	24												27									
安装方向 Installation direction			任意方向/Any direction																					
使用温度 <sup>(4)</sup> Operating temperature	°C		-10~90																					
润滑方式 Lubrication method			终生润滑/Lifetime lubrication																					
防护等级 Protection level			IP65																					
转动惯量 Moment of inertia 按减速机输入直径(mm) Input diameter based on the reducer (mm)	24	J <sub>1</sub>	Kgcm <sup>2</sup>	10.5	8	8	7.2	7	6.5	5.8	5.5	5	5	4.8	2.6	2.2	2	1.7	1.7	1.6	1.4	1.4	1.4	
	35	J <sub>1</sub>	Kgcm <sup>2</sup>	14.5	12	11	10	10	9.5	9.5	9	9	8.5	8.5	3.3	3.2	3	2.9	2.7	2.5	2.3	2.2	2	
	42	J <sub>1</sub>	Kgcm <sup>2</sup>	26	25	24.5	24.1	24.1	23	22.5	22	21	21	19.8	14.5	12	11	10	10	9.5	9.5	9	9	

1. 可选其他减速比  
2. 输出轴中心点  
3. 连续运转时, 使用寿命为10000h  
4. 对温度有特殊要求请与法斯頓联系

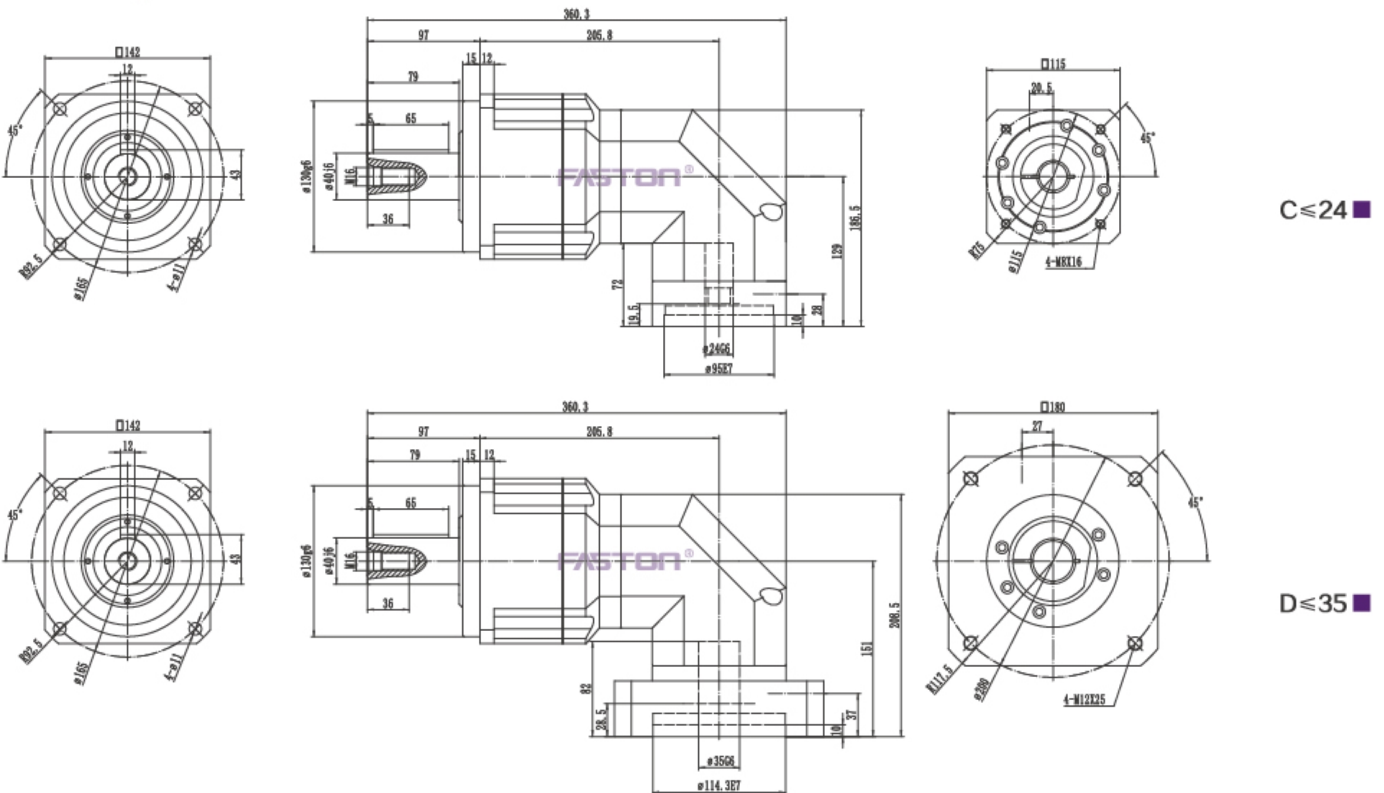
1. Optional other ratio  
2. Output shaft center point  
3. Service life of 10000h in continuous operation  
4. For special requirements on temperature, please contact FASTON

# 减速机性能资料 REDUCER PERFORMANCE DATA

## 单级/One-stage



## 双级/Two-stage



- (1) 请参照马达轴径尺寸
  - (2) 马达轴最长长度, 如有特殊的马达轴尺寸, 请与法斯頓联络
  - (3) 减速机输入端尺寸, 依马达的法兰面而定
- \*如无适合的尺寸, 请与法斯頓联系

- (1) Please refer to the motor shaft diameter
  - (2) Motor shaft length, for special motor shaft size, please contact FASTON
  - (3) Reducer input size, depending on the flange surface of the motor
- \*If no suitable size available, please contact FASTON

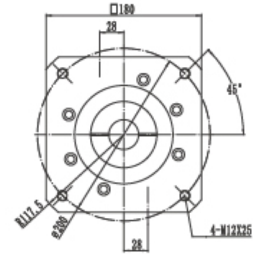
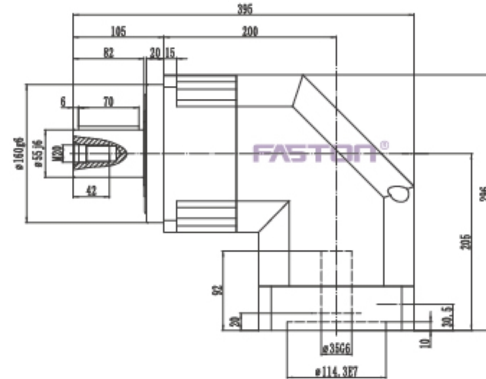
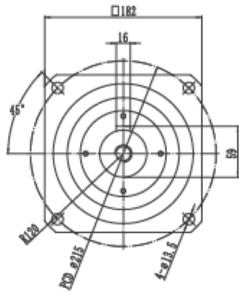
FKBR180			单级/One-stage										双级/Two-stage										
速比 <sup>(1)</sup> Speed ratio	i		3	4	5	6	7	8	9	10	12	16	20	25	30	35	40	55	60	70	80	100	
额定输出力矩(n <sub>1N</sub> ) Rated output torque	T <sub>2N</sub>	Nm	750	1050	1200	1100	1100	1100	900	900	1000	1000	900	750	1050	1050	1200	1100	1020	1200	1100	900	
紧急制动力矩 (在减速机工作寿命内允许1000次) Emergency braking torque (1000 times during the working life of the reducer)	T <sub>2NOT</sub>	Nm	3倍额定输出力矩/3 Times rated output torque																				
额定输入转速 (T <sub>2N</sub> , 20°C环境温度) Rated input speed (T <sub>2N</sub> , 20 °C ambient temperature)	n <sub>1N</sub>	rpm	3000																				
最大输入转速 Maximum input speed	n <sub>1max</sub>	rpm	6000																				
空载力矩(n <sub>1</sub> =3000rpm, 20°C环境温度) No-load torque (n <sub>1</sub> =3000 RPM, 20°C ambient temperature)	T <sub>012</sub>	Nm	15	13	12	11	9	7.5	6.5	5.5	2.6	2.5	2.3	14	11	11	9	9	8	7	6.8	5	
回程间隙PS Backlash PS	j <sub>t</sub>	Arcmin	≤2										≤3										
回程间隙P0 Backlash P0	j <sub>t</sub>	Arcmin	≤4										≤5										
回程间隙P1 Backlash P1	j <sub>t</sub>	Arcmin	≤6										≤7										
回程间隙P2 Backlash P2	j <sub>t</sub>	Arcmin	≤8										≤9										
扭转刚度 Torsional stiffness	C <sub>t21</sub>	Nm/Arcmin	145																				
最大轴向力 <sup>(2)</sup> Maximum axial force	F <sub>2AMax</sub>	N	7250																				
最大径向力 <sup>(2)</sup> Maximum radial force	F <sub>2RMax</sub>	N	14500																				
工作效率 Work efficiency	η	%	95										92										
工作寿命 <sup>(3)</sup> Service life	L <sub>h</sub>	h	20000																				
噪音(i=10和n <sub>1</sub> =3000rpm, 空载) Noise(i=10 and n <sub>1</sub> =3000rpm, no load)	L <sub>PA</sub>	DB(A)	≤70																				
重量 Weight	m	Kg	51										55										
安装方向 Installation direction			任意方向/Any direction																				
使用温度 <sup>(4)</sup> Operating temperature	°C		-10-90																				
润滑方式 Lubrication method			终生润滑/Lifetime lubrication																				
防护等级 Protection level			IP65																				
转动惯量 Moment of inertia 按减速机输入直径(mm) Input diameter based on the reducer(mm)	35	J <sub>1</sub>	Kgcm <sup>2</sup>	49	35	30	25	23	22	20	19	15	15	14.8	9.5	9	8.8	8.2	7.9	7.5	6.8	6.2	5.5
	42	J <sub>1</sub>	Kgcm <sup>2</sup>	52	41	37	36	35	32	30	28	19	18.5	18.5	12	11.4	10.9	10.2	9.8	9.7	9.3	9.0	8.5
	55	J <sub>1</sub>	Kgcm <sup>2</sup>	66	50	44	42	40	38	36	36	31	31	29.8	13	12.1	11	10.5	10.2	10	9.9	9.8	9.5

1. 可选其他减速比  
2. 输出轴中心点  
3. 连续运转时, 使用寿命为10000h  
4. 对温度有特殊要求请与法斯頓联系

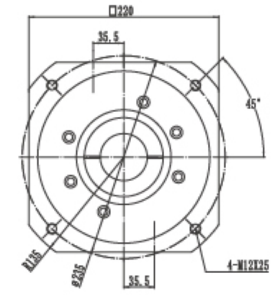
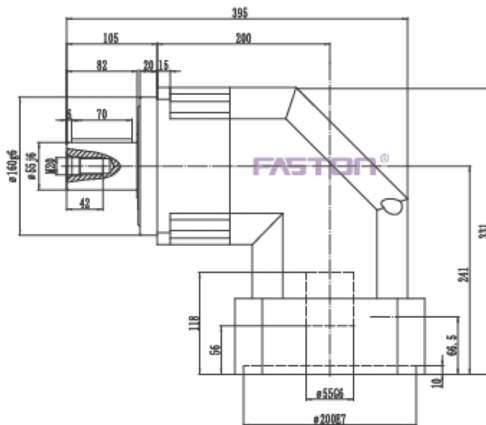
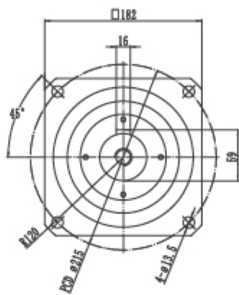
1. Optional other ratio  
2. Output shaft center point  
3. Service life of 10000h in continuous operation  
4. For special requirements on temperature, please contact FASTON

# 减速机性能资料 REDUCER PERFORMANCE DATA

## 单级/One-stage

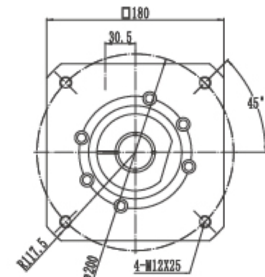
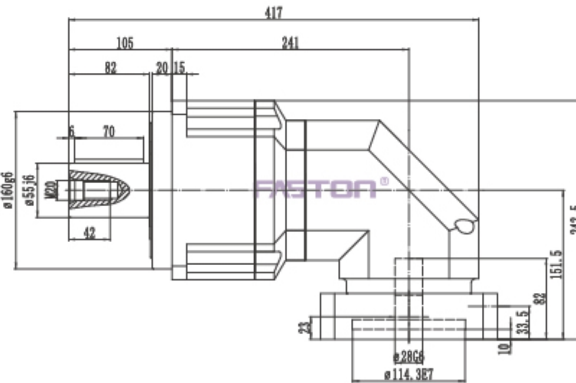
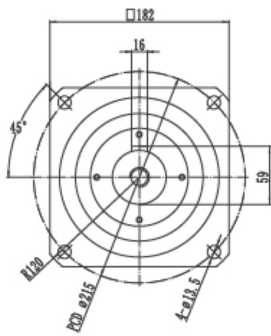


A ≤ 35 ■

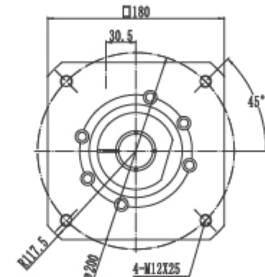
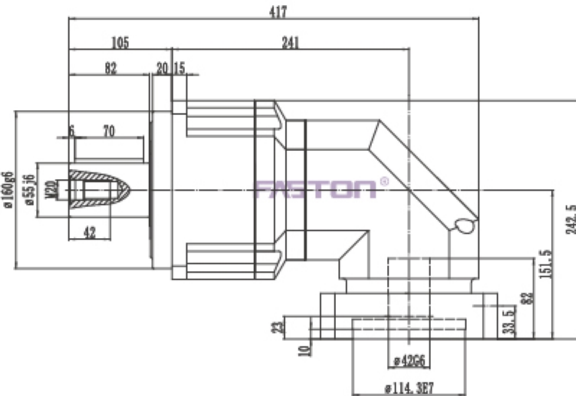
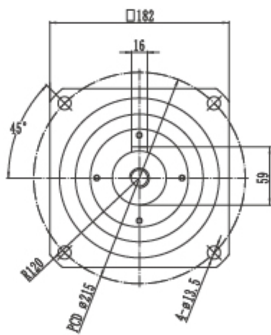


B ≤ 55 ■

## 双级/Two-stage



C ≤ 28 ■



D ≤ 42 ■

- (1) 请参照马达轴径尺寸
  - (2) 马达轴最长长度, 如有特殊的马达轴尺寸, 请与法斯顿联络
  - (3) 减速机输入端尺寸, 依马达的法兰面而定
- \*如无适合的尺寸, 请与法斯顿联系

- (1) Please refer to the motor shaft diameter
  - (2) Motor shaft length, for special motor shaft size, please contact FASTON
  - (3) Reducer input size, depending on the flange surface of the motor
- \*If no suitable size available, please contact FASTON

减速机性能资料 REDUCER PERFORMANCE DATA

FKBR220			单级/One-stage										双级/Two-stage										
速比 <sup>(1)</sup> Speed ratio	i		3	4	5	6	7	8	9	10	12	16	20	25	30	35	40	55	60	70	80	100	
额定输出力矩(n <sub>1N</sub> ) Rated output torque	T <sub>2N</sub>	Nm	1140	1700	2000	1800	1800	1600	1500	1500	1600	1600	1500	2000	1140	1800	1700	2000	1800	1800	1600	1500	
紧急制动力矩 (在减速机工作寿命内允许1000次) (1000 times during the working life of the reducer)	T <sub>2NOT</sub>	Nm	3倍额定输出力矩/3 Times rated output torque																				
额定输入转速(T <sub>2n</sub> , 20°C环境温度) Rated input speed (T <sub>2n</sub> , 20 °C ambient temperature)	n <sub>1N</sub>	rpm	2000																				
最大输入转速 Maximum input speed	n <sub>1max</sub>	rpm	4000																				
空载力矩(n <sub>1</sub> =3000rpm, 20°C环境温度) No-load torque (n <sub>1</sub> =3000 RPM, 20°C ambient temperature)	T <sub>012</sub>	Nm	33	22	17	8	6	5	4.5	3.5	2.6	2.5	2.3	14	11	11	9	9	8	7	6.8	5	
回程间隙PS Backlash PS	j <sub>t</sub>	Arcmin	≤2										≤3										
回程间隙P0 Backlash P0	j <sub>t</sub>	Arcmin	≤4										≤5										
回程间隙P1 Backlash P1	j <sub>t</sub>	Arcmin	≤6										≤7										
回程间隙P2 Backlash P2	j <sub>t</sub>	Arcmin	≤8										≤9										
扭转刚度 Torsional stiffness	C <sub>121</sub>	Nm/Arcmin	225																				
最大轴向力 <sup>(2)</sup> Maximum axial force	F <sub>2AMax</sub>	N	14000																				
最大径向力 <sup>(2)</sup> Maximum radial force	F <sub>2RMax</sub>	N	3000																				
工作效率 Work efficiency	η	%	95										92										
工作寿命 <sup>(3)</sup> Service life	L <sub>h</sub>	h	20000																				
噪音(i=10和n <sub>1</sub> =3000rpm, 空载) Noise(i=10 and n <sub>1</sub> =3000rpm, no load)	L <sub>PA</sub>	DB(A)	≤72																				
重量 Weight	m	Kg	91										78										
安装方向 Installation direction			任意方向/Any direction																				
使用温度 <sup>(4)</sup> Operating temperature	°C		-10-90																				
润滑方式 Lubrication method			终生润滑/Lifetime lubrication																				
防护等级 Protection level			IP65																				
转动惯量 Moment of inertia 按减速机输入直径(mm) Input diameter based on the reducer(mm)	42	J <sub>1</sub>	Kgcm <sup>2</sup>	80	70	68	65	55	52	45	40	40	38	37	18	16	15.5	14	14	13	12	10.8	9.5
	55	J <sub>1</sub>	Kgcm <sup>2</sup>	130	95	77	75	68	65	60	55	55	50	50	30	28	27	26.5	25.5	24	23	21	19.5

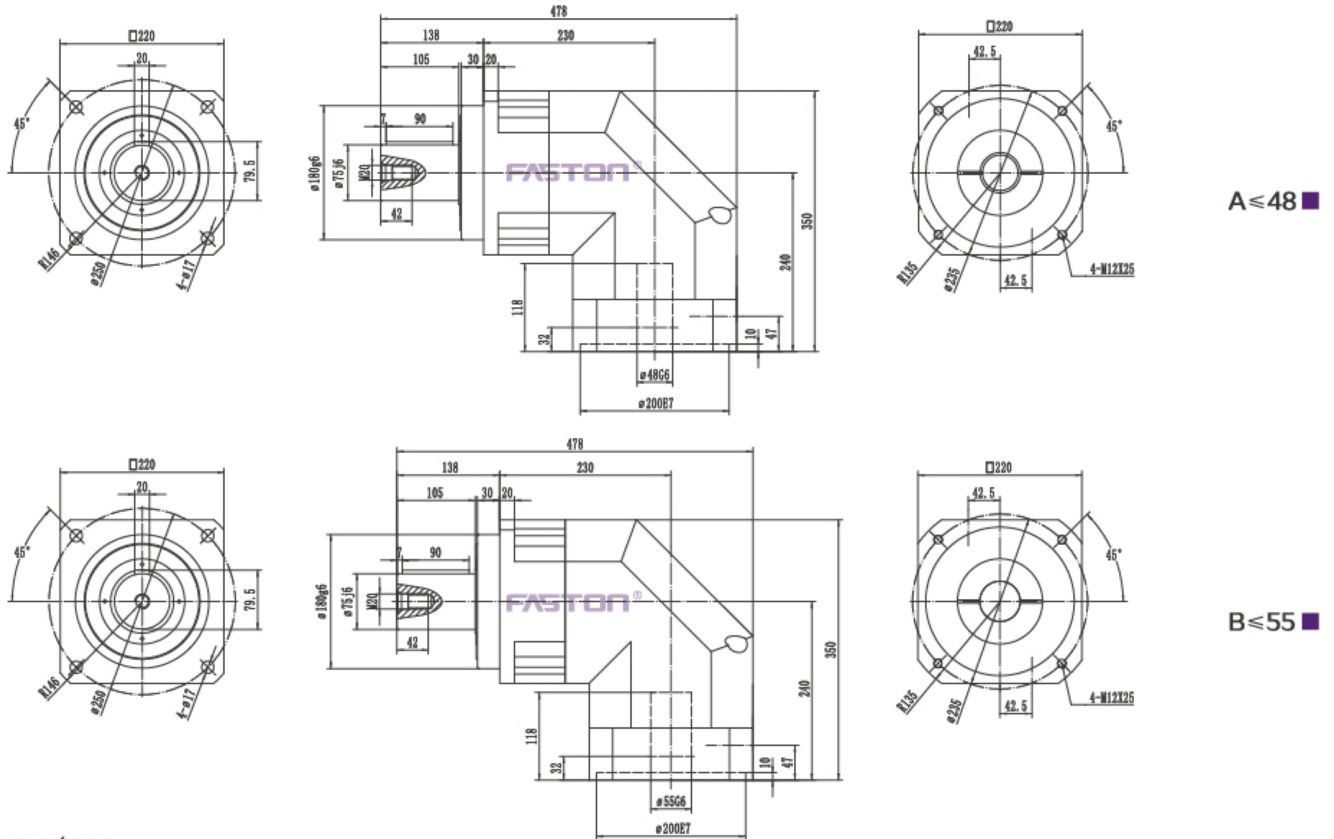
1. 可选其他减速比  
 2. 输出轴中心点  
 3. 连续运转时, 使用寿命为10000h  
 4. 对温度有特殊要求请与法斯頓联系

1. Optional other ratio  
 2. Output shaft center point  
 3. Service life of 10000h in continuous operation  
 4. For special requirements on temperature, please contact FASTON

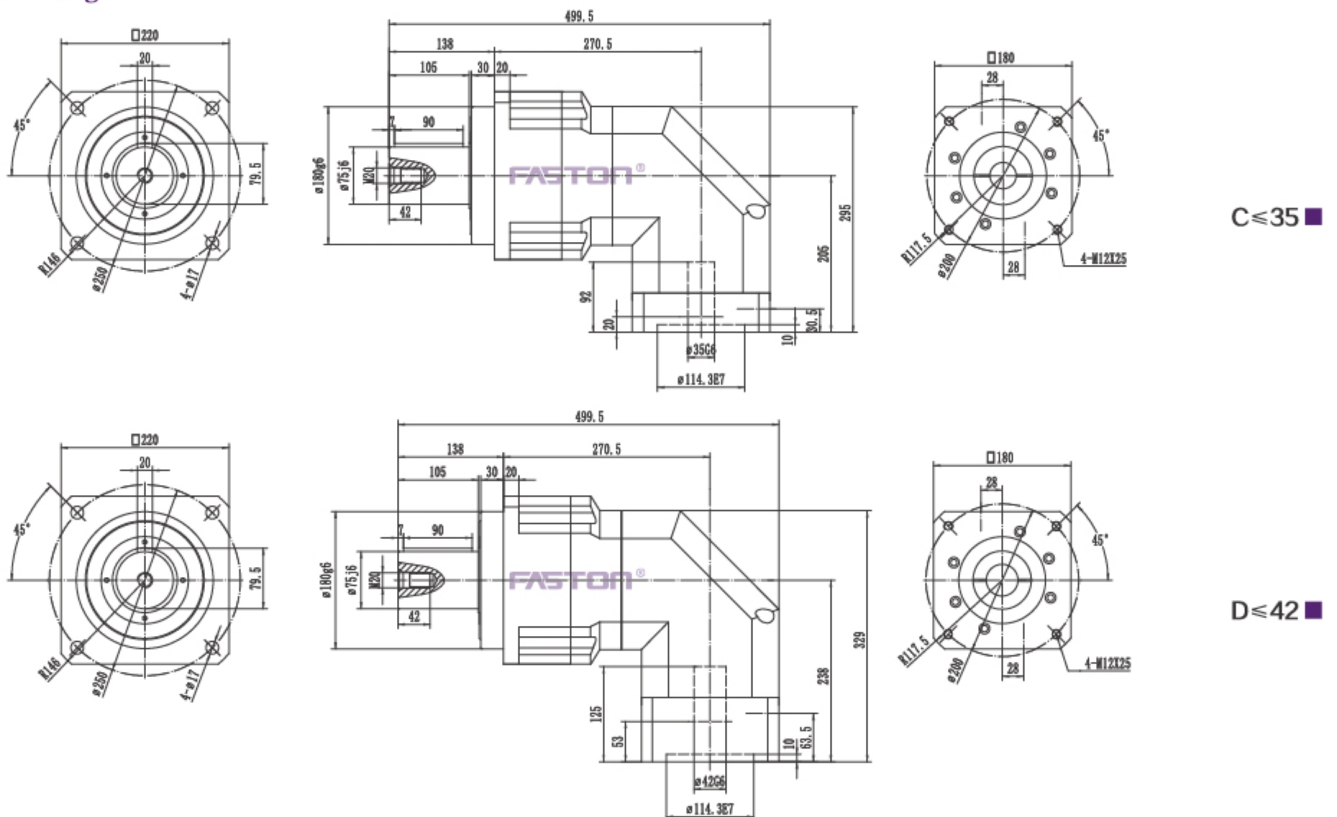


# 减速机性能资料 REDUCER PERFORMANCE DATA

## 单级/One-stage

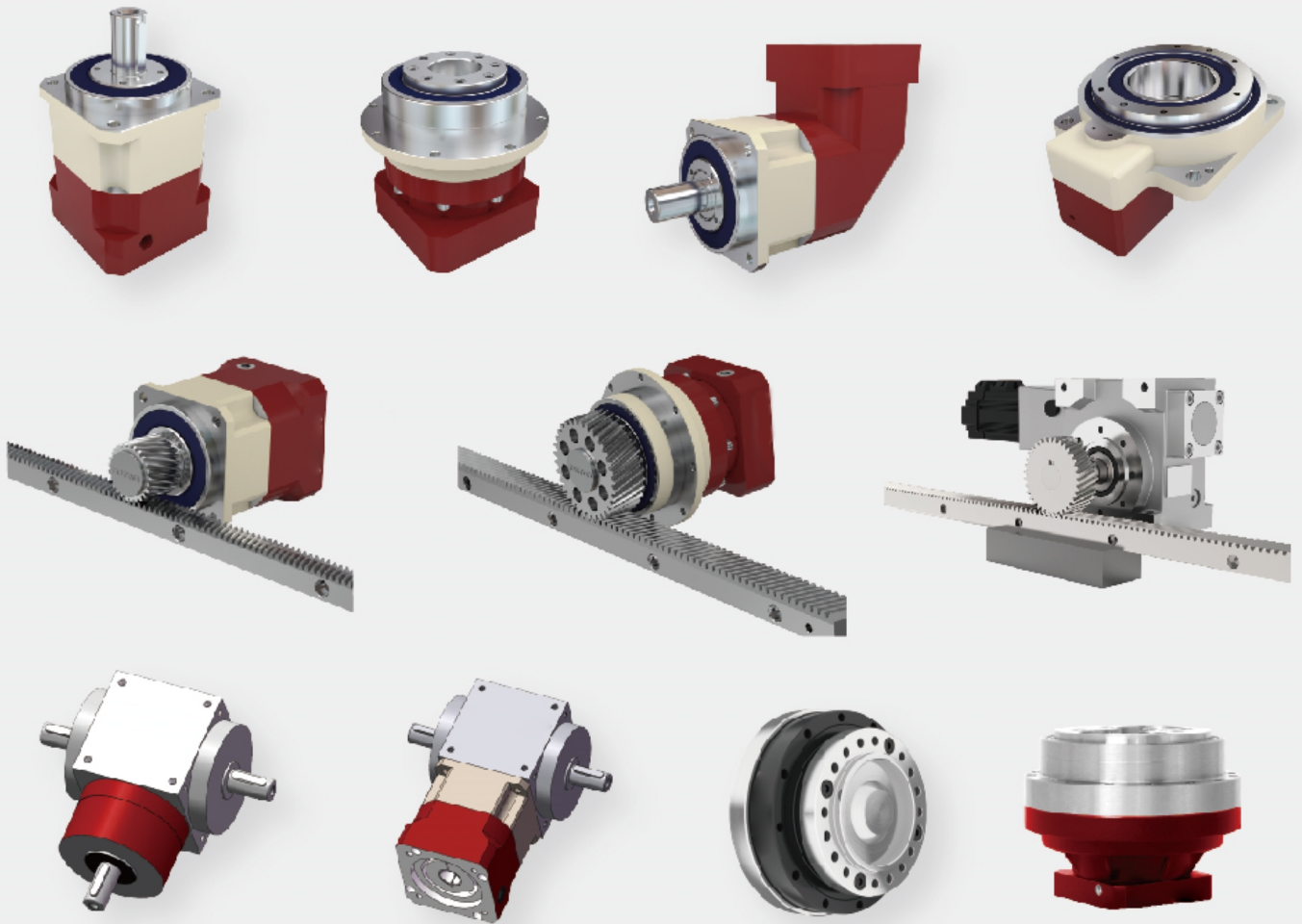


## 双级/Two-stage



- (1) 请参照马达轴径尺寸
  - (2) 马达轴最长长度, 如有特殊的马达轴尺寸, 请与法斯頓联络
  - (3) 减速机输入端尺寸, 依马达的法兰面而定
- \*如无适合的尺寸, 请与法斯頓联系

- (1) Please refer to the motor shaft diameter
  - (2) Motor shaft length, for special motor shaft size, please contact FASTON
  - (3) Reducer input size, depending on the flange surface of the motor
- \*If no suitable size available, please contact FASTON



**東莞公司**  
Dongguan Company

東莞市精杰機電有限公司  
地址：廣東省東莞市樟木頭石新東城四街23號  
電話：13549217001 / 400-028-8380  
聯系人：江先生13802379590  
網址：www.jingjielw.com

Dongguan Jingjie Electromechanical Co., Ltd  
Address: No.23, Xindongcheng Fourth Street, Zhangmutou,  
Dongguan, Guangdong Province  
Tel: 13549217001/400-028-8380  
Contact person: Mr. Jiang 13802379590  
Website: www.jingjielw.com



**惠州公司**  
Huizhou Company

精杰機電（惠州）公司  
地址：廣東惠州仲愷高新區陳江大道南19號  
華廷悅府6棟1104室  
電話：13549217001 / 400-028-8380  
聯系人：劉小姐13802397290  
網址：www.jingjielw.com

Jingjie Electromechanical (Huizhou) Co., Ltd  
Address: No. 19, Chenjiang Avenue South, Zhongkai High tech Zone,  
Huizhou, Guangdong Room 1104, Building 6, Huating Yuefu  
Tel: 13549217001/400-028-8380  
Contact: Miss Liu 13802397290  
Website: www.jingjielw.com



精杰機電

廣東省東莞市樟木頭石新東城四街23號 東莞市精杰機電有限公司 0769-13549217001 廣東省惠州仲愷高新區陳江大道南19號 精杰機電（惠州）公司 0752-13549217001

精杰機電

www.jingjielw.com

子機

副機

www.jingjielw.com