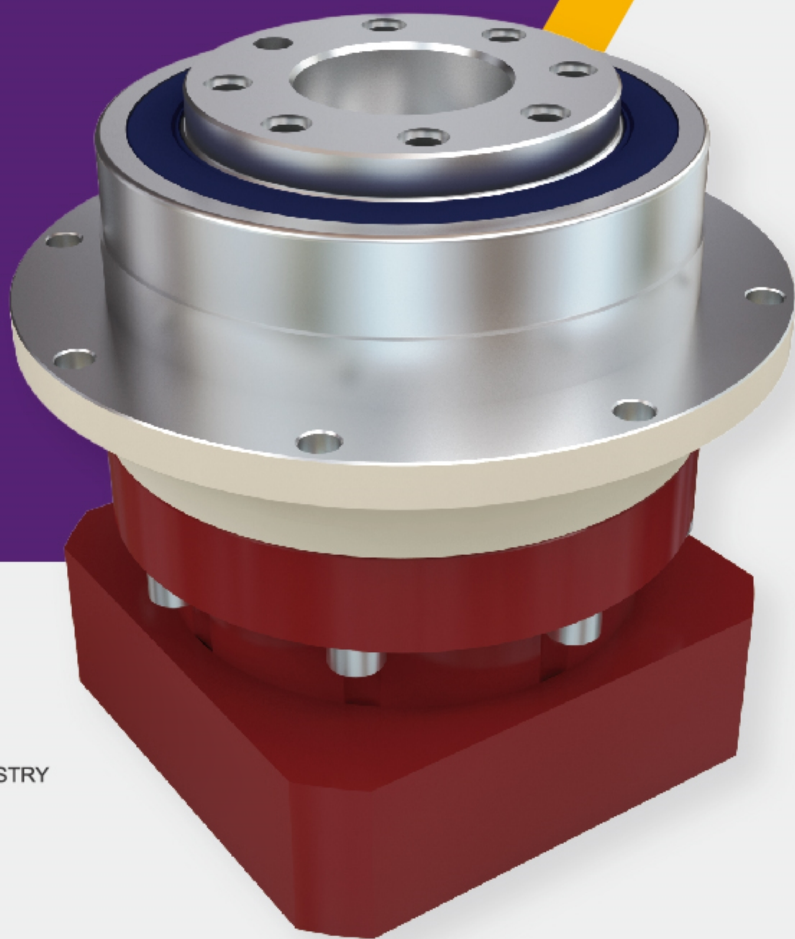


BORN FOR
PRECISION
為精密而生



傳動裝置系統供應商
樹立減速機行業新標桿

TRANSMISSION SYSTEM SUPPLIERS
SET A NEW BENCHMARK FOR THE REDUCER INDUSTRY

東莞市精杰機電有限公司
DONGGUAN JINGJIE ELECTROMECHANICAL CO., LTD



FKB系列一超高效率

FKB SERIES—SUPER HIGH EFFICIENCY

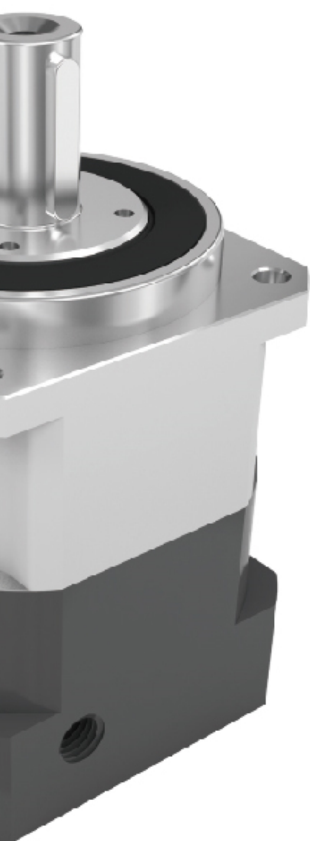


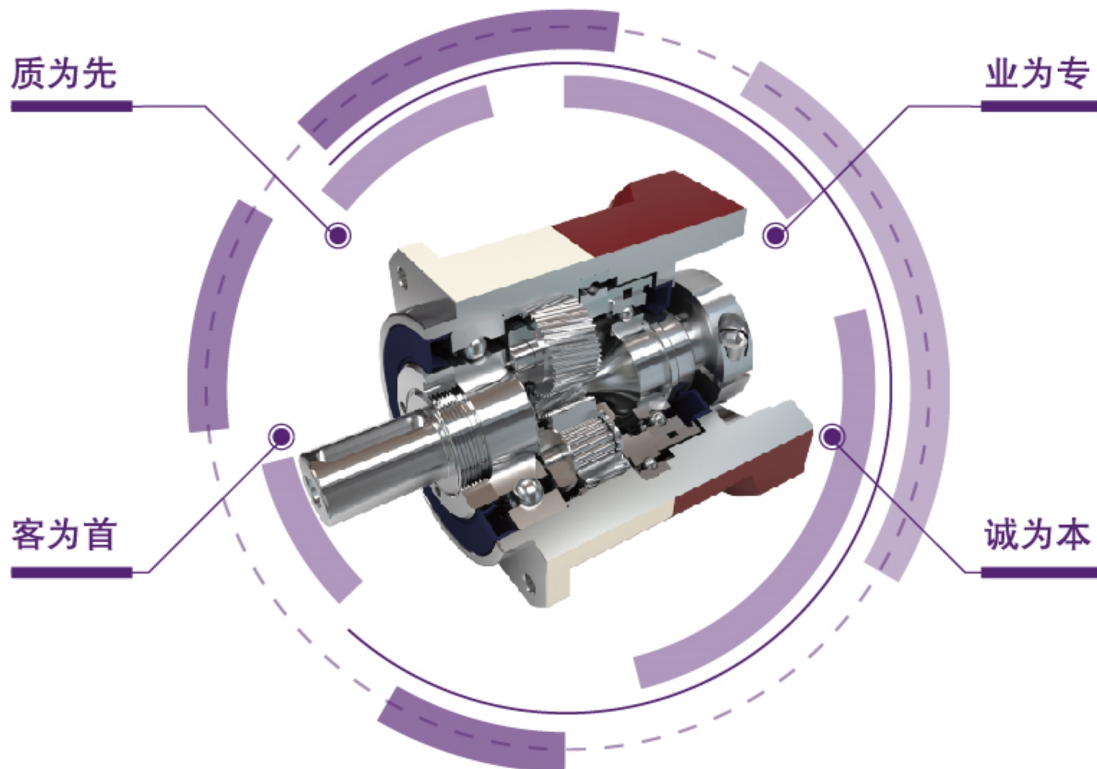
我们为客户定制高精度、高刚性、高扭矩的精密行星减速器，FKB系列在技术方面为您提供创新和先进的解决方案以达到超高效率。

We customize precise planetary reducers with high precision, high rigidity and high torque for customers. The FKB series provides you with innovative and advanced solutions in technology to maximize efficiency.

技术参数* TECHNICAL PARAMETERS

回程间隙 Return clearance	arcmin	1~7
速比 Speed ratio	i	3~100
额定输出力矩 Rated output torque	Nm	14~2000
使用温度°C Using temperature°C	°C	-10~90
噪音 The noise	dB(A)	56~70
工作效率 The work efficiency	%	97
工作寿命 The working life	h	20000

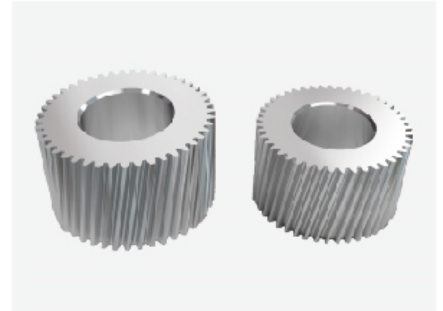




FKB系列一超高效率
FKB serice-super high efficiency



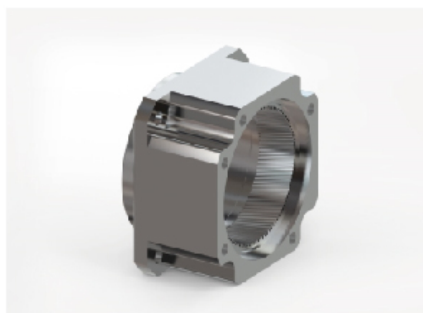
输出双支撑, 大跨距, 高稳定性
Output double support, large span, high stability



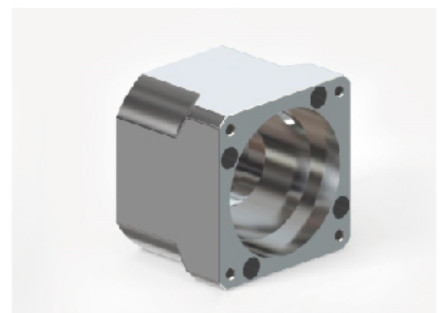
齿面宽, 参数做大, 实现高强度
The tooth surface is wide, the parameters are larger, and the high strength is achieved



斜齿设计, 高咬合率, 连转平滑, 低噪音, 低背隙
Oblique tooth design, high occlusion rate, even rotation, low noise, low back clearance



内齿环与壳体一体化设计, 精密, 耐磨
Internal gear ring and shell integrated design, precision, wear-resistant



一体化连接板设计, 与各种伺服, 马达完美配合
Integrated connection board design, perfect coordination with various servo and motors

减速机性能资料 REDUCER PERFORMANCE DATA

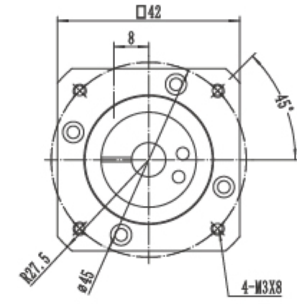
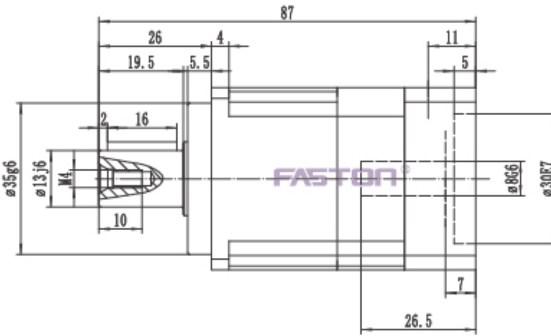
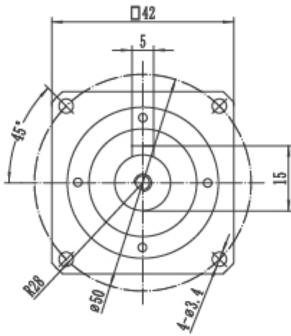
FKB042			单级/One-stage							双级/Two-stage										
速比 ⁽¹⁾ Speed ratio	i		3	4	5	6	7	8	9	10	12	16	20	25	35	40	50	70	100	
额定输出力矩(n _{1N}) Rated output torque	T _{2N}	Nm	20	19	22	20	19	17	14	14	20	19	19	22	19	17	22	19	14	
紧急制动力矩 Emergency braking torque (在减速机使用寿命内允许1000次) (1000 times during the working life of the reducer)	T _{2NOT}	Nm	3倍额定输出力矩/3 Times rated output torque																	
额定输入转速(T _{2n} , 20°C环境温度) Rated input speed (T _{2n} , 20 °C ambient temperature)	n _{1N}	rpm	5000																	
最大输入转速 Maximum input speed	n _{1max}	rpm	10000																	
空载力矩(n ₁ =3000rpm, 20°C环境温度) No-load torque (n ₁ =3000 RPM, 20°C ambient temperature)	T ₀₁₂	Nm	0.5	0.4	0.4	0.3	0.3	0.2	0.2	0.2	0.4	0.3	0.3	0.3	0.3	0.3	0.2	0.2	0.1	
回程间隙PS Backlash PS	j _t	Arcmin	≤1							≤2										
回程间隙P0 Backlash P0	j _t	Arcmin	≤2							≤3										
回程间隙P1 Backlash P1	j _t	Arcmin	≤3							≤5										
回程间隙P2 Backlash P2	j _t	Arcmin	≤5							≤7										
扭转刚度 Torsional stiffness	C _{i21}	Nm/Arcmin	3																	
最大轴向力 ⁽²⁾ Maximum axial force	F _{2AMax}	N	390																	
最大径向力 ⁽²⁾ Maximum radial force	F _{2RMax}	N	780																	
工作效率 Work efficiency	η	%	97							94										
工作寿命 ⁽³⁾ Service life	L _h	h	20000																	
噪音(i=10和n ₁ =3000rpm, 空载) Noise(i=10 and n ₁ =3000rpm, no load)	L _{PA}	DB(A)	≤56																	
重量 Weight	m	Kg	0.6							0.8										
安装方向 Installation direction			任意方向/Any direction																	
使用温度 ⁽⁴⁾ Operating temperature		°C	-10-90																	
润滑方式 Lubrication method			终生润滑/Lifetime lubrication																	
防护等级 Protection level			IP65																	
转动惯量 Moment of inertia 按减速机输入直径(mm) Input diameter based on the reducer (mm)	8	J ₁	Kgcm ²	0.07	0.06	0.05	0.05	0.04	0.03	0.03	0.03	0.03	0.03	0.03	0.03	0.03	0.02	0.02	0.02	
	11	J ₁	Kgcm ²	0.13	0.13	0.12	0.12	0.12	0.11	0.07	0.06	0.1	0.1	0.08	0.08	0.07	0.07	0.06	0.06	0.05
	14	J ₁	Kgcm ²	0.16	0.16	0.15	0.14	0.13	0.12	0.09	0.08	0.12	0.12	0.11	0.1	0.1	0.09	0.09	0.07	0.06

1. 可选其他减速比
2. 输出轴中心点
3. 连续运转时, 使用寿命为10000h
4. 对温度有特殊要求请与法斯頓联系

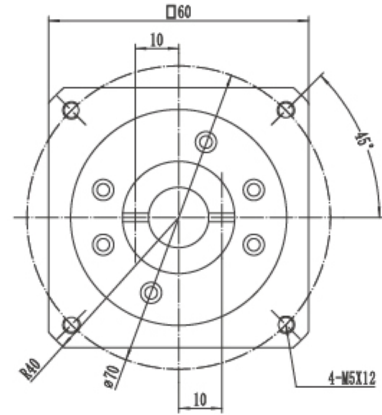
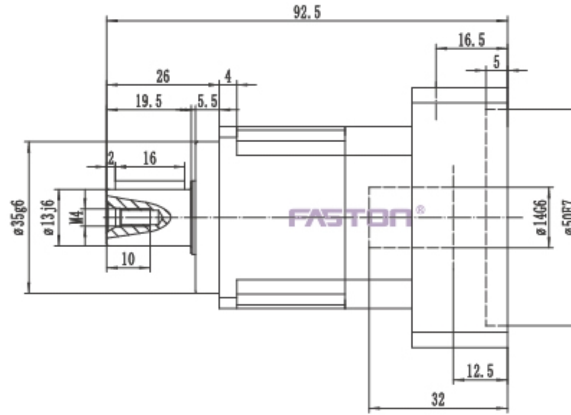
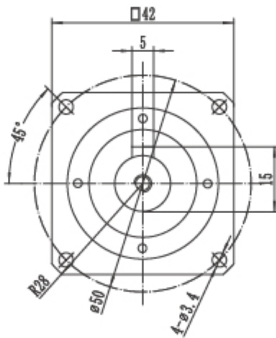
1. Optional other ratio
2. Output shaft center point
3. Service life of 10000h in continuous operation
4. For special requirements on temperature, please contact FASTON

减速机性能资料 REDUCER PERFORMANCE DATA

单级/One-stage

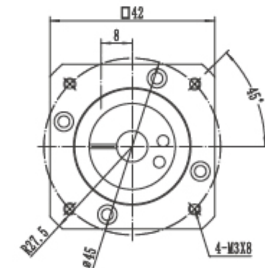
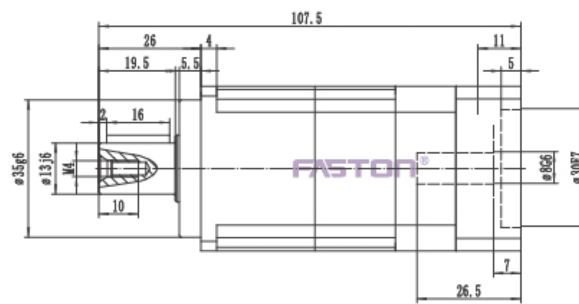
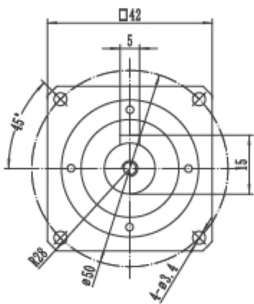


A ≤ 8 ■

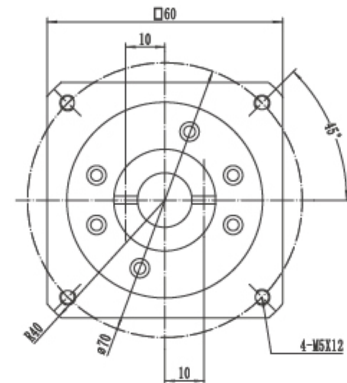
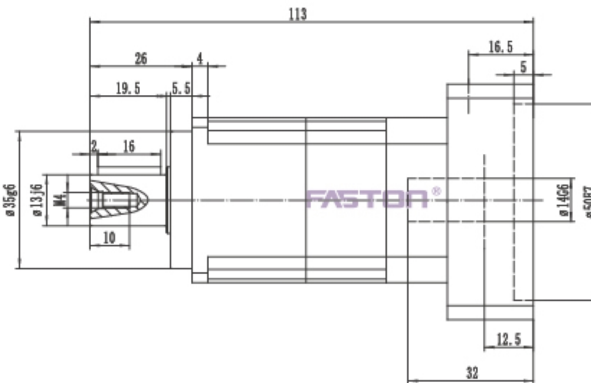
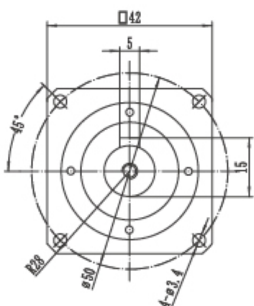


B ≤ 14 ■

双级/Two-stage



C ≤ 8 ■



D ≤ 14 ■

- (1) 请参照马达轴径尺寸
 - (2) 马达轴最长长度, 如有特殊的马达轴尺寸, 请与法斯頓联络
 - (3) 减速机输入端尺寸, 依马达的法兰面而定
- *如无适合的尺寸, 请与法斯頓联系

- (1) Please refer to the motor shaft diameter
 - (2) Motor shaft length, for special motor shaft size, please contact FASTON
 - (3) Reducer input size, depending on the flange surface of the motor
- *If no suitable size available, please contact FASTON

减速机性能资料 REDUCER PERFORMANCE DATA

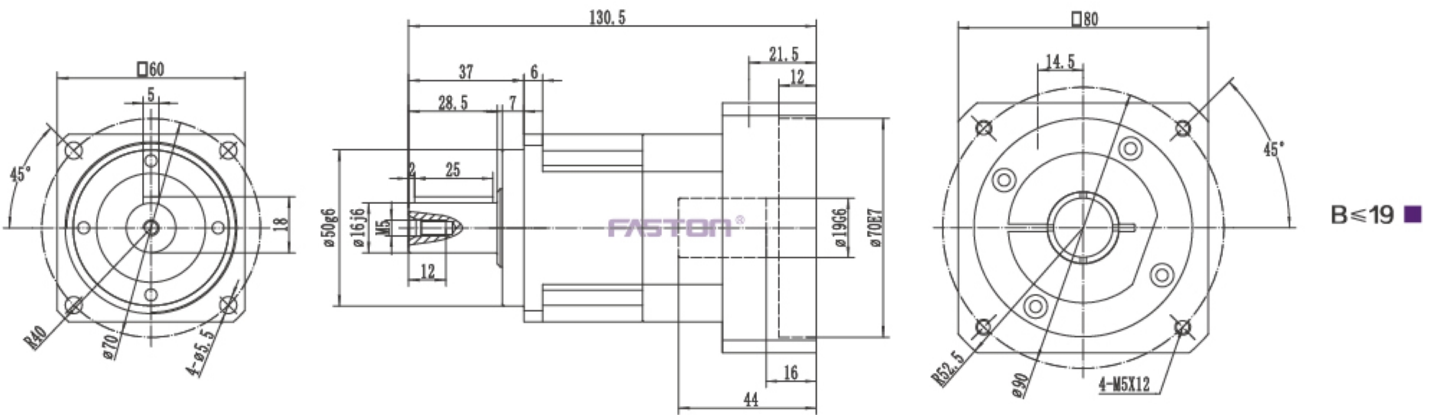
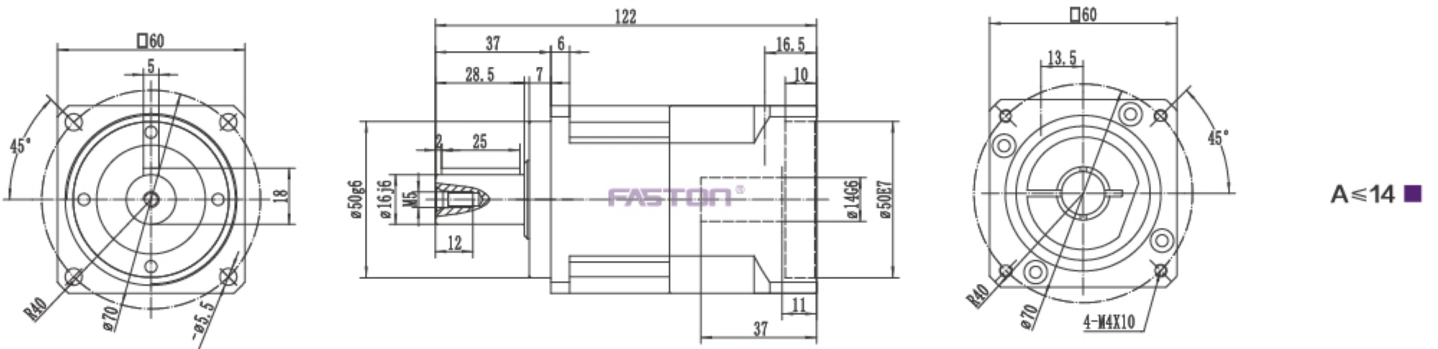
FKB060			单级/One-stage								双级/Two-stage								
速比 ⁽¹⁾ Speed ratio	i		3	4	5	6	7	8	9	10	12	16	20	25	35	40	50	70	100
额定输出力矩(n _{1N}) Rated output torque	T _{2N}	Nm	55	50	50	55	50	45	40	40	55	50	50	60	50	50	55	50	40
紧急制动力矩 (在减速机工作寿命内允许1000次) (1000 times during the working life of the reducer)	T _{2NOT}	Nm	3倍额定输出力矩/3 Times rated output torque																
额定输入转速(T _{2n} , 20°C环境温度) Rated input speed (T _{2n} , 20 °C ambient temperature)	n _{1N}	rpm	4000																
最大输入转速 Maximum input speed	n _{1max}	rpm	8000																
空载力矩(n ₁ =3000rpm, 20°C环境温度) No-load torque (n ₁ =3000 RPM, 20°C ambient temperature)	T ₀₁₂	Nm	0.9	0.8	0.8	0.7	0.6	0.5	0.5	0.4	0.6	0.6	0.55	0.5	0.5	0.4	0.4	0.35	0.3
回程间隙PS Backlash PS	j _t	Arcmin	≤1								≤2								
回程间隙P0 Backlash P0	j _t	Arcmin	≤2								≤3								
回程间隙P1 Backlash P1	j _t	Arcmin	≤3								≤5								
回程间隙P2 Backlash P2	j _t	Arcmin	≤5								≤7								
扭转刚度 Torsional stiffness	C ₁₂₁	Nm/Arcmin	4.5																
最大轴向力 ⁽²⁾ Maximum axial force	F _{2AMax}	N	770																
最大径向力 ⁽²⁾ Maximum radial force	F _{2RMax}	N	1550																
工作效率 Work efficiency	η	%	97								94								
工作寿命 ⁽³⁾ Service life	L _h	h	20000																
噪音(i=10和n ₁ =3000rpm, 空载) Noise(i=10 and n ₁ =3000rpm, no load)	L _{PA}	DB(A)	≤58																
重量 Weight	m	Kg	1.3								1.8								
安装方向 Installation direction			任意方向/Any direction																
使用温度 ⁽⁴⁾ Operating temperature	°C		-10~90																
润滑方式 Lubrication method			终生润滑/Lifetime lubrication																
防护等级 Protection level			IP65																
转动惯量 Moment of inertia 按减速机输入直径(mm) Input diameter based on the reducer (mm)	11	J ₁	Kgcm ²	0.25	0.2	0.2	0.15	0.13	0.12	0.1	0.1	0.1	0.1	0.09	0.08	0.08	0.08	0.08	0.08
	14	J ₁	Kgcm ²	0.28	0.25	0.25	0.22	0.18	0.17	0.15	0.14	0.17	0.17	0.17	0.16	0.16	0.16	0.16	0.15
	19	J ₁	Kgcm ²	0.65	0.6	0.55	0.55	0.52	0.5	0.5	0.48	0.18	0.18	0.16	0.15	0.15	0.15	0.15	0.14

1. 可选其他减速比
2. 输出轴中心点
3. 连续运转时, 使用寿命为10000h
4. 对温度有特殊要求请与法斯顿联系

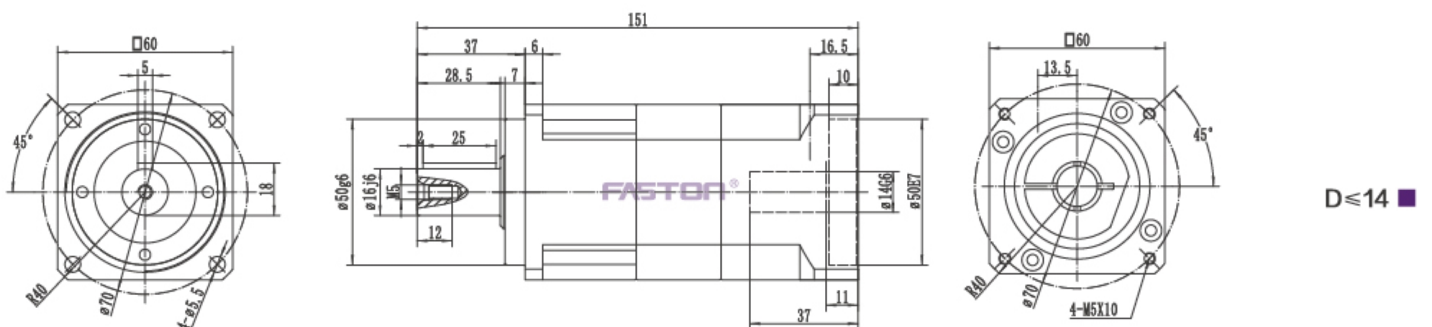
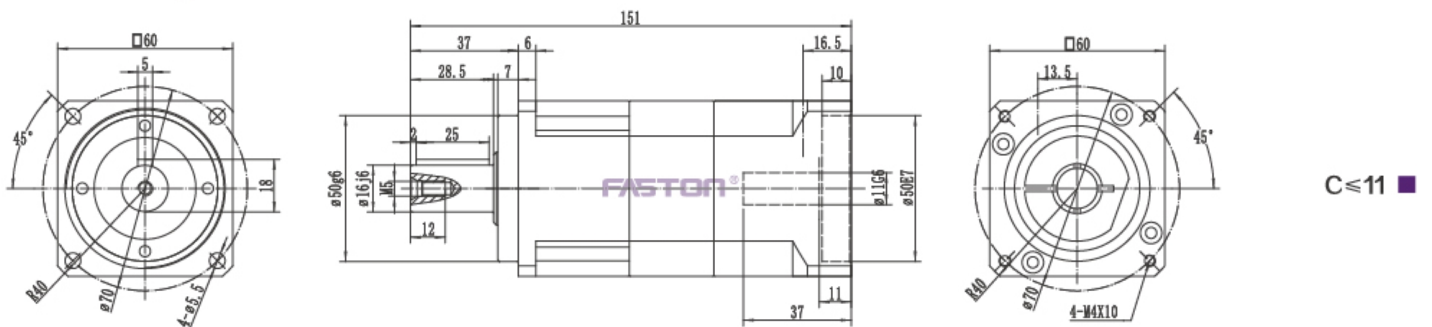
1. Optional other ratio
2. Output shaft center point
3. Service life of 10000h in continuous operation
4. For special requirements on temperature, please contact FASTON

减速机性能资料 REDUCER PERFORMANCE DATA

单级/One-stage



双级/Two-stage



- (1) 请参照马达轴径尺寸
 - (2) 马达轴最长长度, 如有特殊的马达轴尺寸, 请与法斯顿联系
 - (3) 减速机输入端尺寸, 依马达的法兰面而定
- *如无适合的尺寸, 请与法斯顿联系

- (1) Please refer to the motor shaft diameter
 - (2) Motor shaft length, for special motor shaft size, please contact FASTON
 - (3) Reducer input size, depending on the flange surface of the motor
- *If no suitable size available, please contact FASTON

减速机性能资料 REDUCER PERFORMANCE DATA

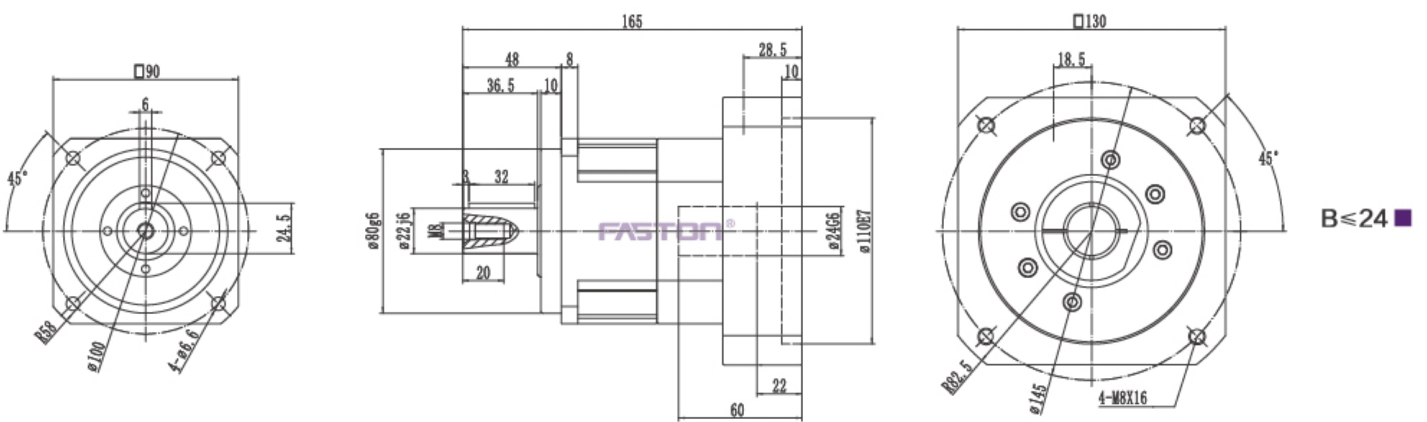
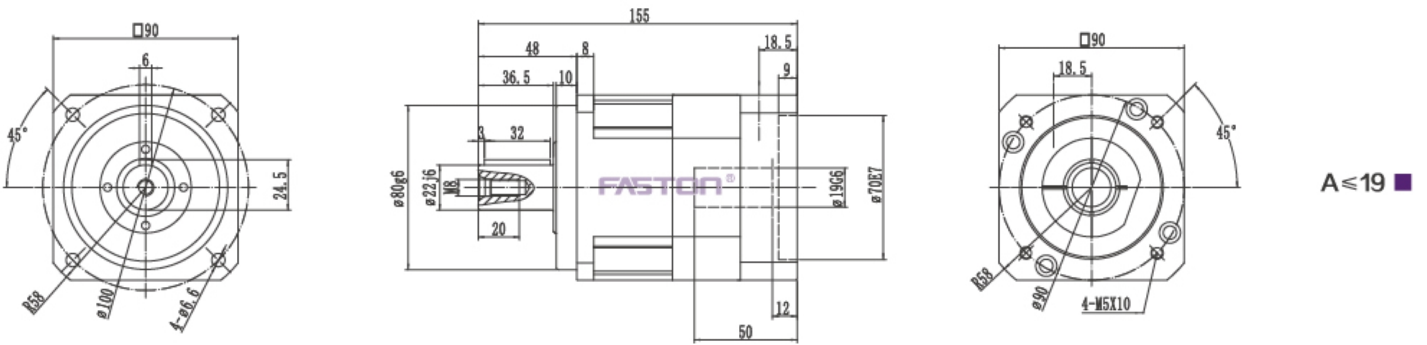
FKB090			单级/One-stage								双级/Two-stage									
速比 ⁽¹⁾ Speed ratio	i		3	4	5	6	7	8	9	10	12	16	20	25	35	40	50	70	100	
额定输出力矩(n _{1N}) Rated output torque	T _{2N}	Nm	130	140	160	140	140	120	100	100	130	140	140	160	140	140	160	120	100	
紧急制动力矩 Emergency braking torque (在减速机使用寿命内允许1000次) (1000 times during the working life of the reducer)	T _{2NOT}	Nm	3倍额定输出力矩/3 Times rated output torque																	
额定输入转速 Rated input speed (T2n, 20 °C ambient temperature)	n _{1N}	rpm	3000																	
最大输入转速 Maximum input speed	n _{1max}	rpm	6000																	
空载力矩(nl=3000rpm, 20°C环境温度) No-load torque (nl=3000 RPM, 20 °C ambient temperature)	T ₀₁₂	Nm	1.8	1.7	1.6	1.5	1.4	1.1	0.8	0.7	0.9	0.8	0.7	0.6	0.5	0.5	0.4	0.3	0.3	
回程间隙PS Backlash PS	j _t	Arcmin	≤1								≤2									
回程间隙P0 Backlash P0	j _t	Arcmin	≤2								≤3									
回程间隙P1 Backlash P1	j _t	Arcmin	≤3								≤5									
回程间隙P2 Backlash P2	j _t	Arcmin	≤5								≤7									
扭转刚度 Torsional stiffness	C _{t21}	Nm/Arcmin	14																	
最大轴向力 ⁽²⁾ Maximum axial force	F _{2AMax}	N	1630																	
最大径向力 ⁽²⁾ Maximum radial force	F _{2RMax}	N	3250																	
工作效率 Work efficiency	η	%	97								94									
工作寿命 ⁽³⁾ Service life	L _h	h	20000																	
噪音(i=10和n1=3000rpm, 空载) Noise(i=10 and nl=3000rpm, no load)	L _{PA}	DB(A)	≤60																	
重量 Weight	m	Kg	3.9								4.6									
安装方向 Installation direction			任意方向/Any direction																	
使用温度 ⁽⁴⁾ Operating temperature	°C		-10~90																	
润滑方式 Lubrication method			终生润滑/Lifetime lubrication																	
防护等级 Protection level			IP65																	
转动惯量 Moment of inertia 按减速机输入直径(mm) Input diameter based on the reducer(mm)	19	J ₁	Kgcm ²	1.3	1.3	1.2	1.1	0.9	0.8	0.7	0.6	0.25	0.23	0.21	0.2	0.18	0.18	0.18	0.16	0.16
	22	J ₁	Kgcm ²	2.2	2.1	2	2	1.8	1.7	1.5	1.5	0.7	0.7	0.7	0.7	0.7	0.7	0.6	0.5	0.5
	24	J ₁	Kgcm ²	2.5	2.4	2.3	2.3	2.2	2.2	2.1	2.1	0.8	0.8	0.7	0.7	0.7	0.7	0.65	0.6	0.6

1. 可选其他减速比
2. 输出轴中心点
3. 连续运转时, 使用寿命为10000h
4. 对温度有特殊要求请与法斯頓联系

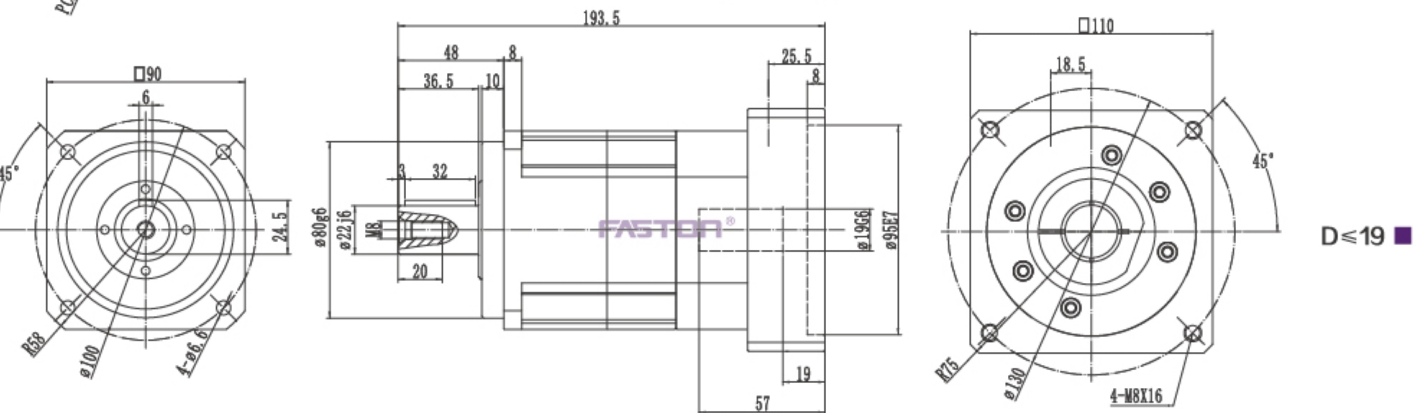
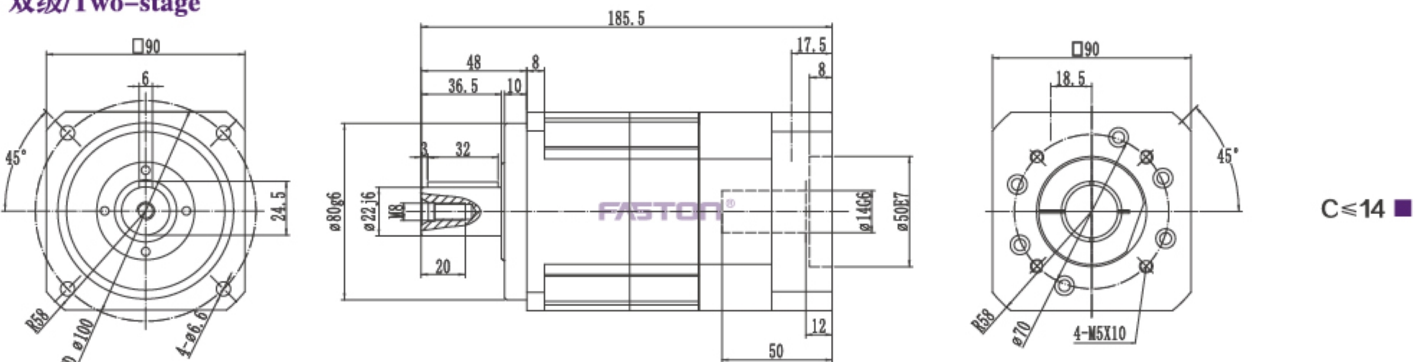
1. Optional other ratio
2. Output shaft center point
3. Service life of 10000h in continuous operation
4. For special requirements on temperature, please contact FASTON

减速机性能资料 REDUCER PERFORMANCE DATA

单级/One-stage



双级/Two-stage



- (1) 请参照马达轴径尺寸
 - (2) 马达轴最长长度, 如有特殊的马达轴尺寸, 请与法斯頓联络
 - (3) 减速机输入端尺寸, 依马达的法兰面而定
- *如无适合的尺寸, 请与法斯頓联系

- (1) Please refer to the motor shaft diameter
 - (2) Motor shaft length, for special motor shaft size, please contact FASTON
 - (3) Reducer input size, depending on the flange surface of the motor
- *If no suitable size available, please contact FASTON

减速机性能资料 REDUCER PERFORMANCE DATA

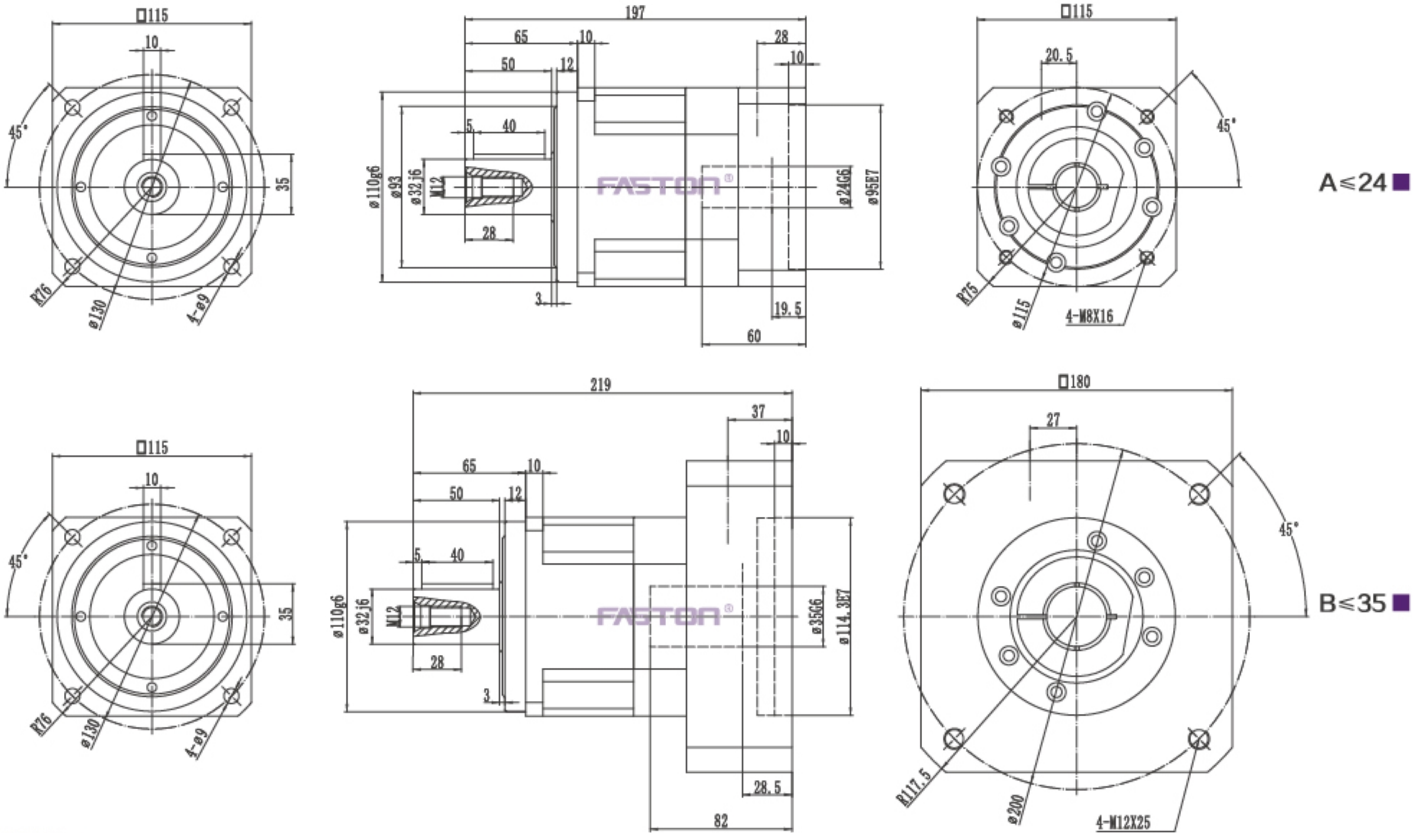
FKB115			单级/One-stage							双级/Two-stage										
速比 ⁽¹⁾ Speed ratio	i		3	4	5	6	7	8	9	10	12	16	20	25	35	40	50	70	100	
额定输出力矩(n _{1N}) Rated output torque	T _{2N}	Nm	208	290	330	300	300	260	230	230	208	290	290	330	300	330	330	300	230	
紧急制动转矩 (在减速机工作寿命内允许1000次) (1000 times during the working life of the reducer)	T _{2NOT}	Nm	3倍额定输出力矩/3 Times rated output torque																	
额定输入转速 (T _{2N} , 20°C环境温度) Rated input speed (T _{2N} , 20 °C ambient temperature)	n _{1N}	rpm	3000																	
最大输入转速 Maximum input speed	n _{1max}	rpm	6000																	
空载力矩(n ₁ =3000rpm, 20°C环境温度) No-load torque (n ₁ =3000 RPM, 20°C ambient temperature)	T ₀₁₂	Nm	3.6	3	2.7	2.5	2	1.8	1.6	1.5	1.8	1.6	1.6	1.5	1.2	1	0.8	0.7	0.6	
回程间隙PS Backlash PS	j _t	Arcmin	≤1							≤2										
回程间隙P0 Backlash P0	j _t	Arcmin	≤2							≤3										
回程间隙P1 Backlash P1	j _t	Arcmin	≤3							≤5										
回程间隙P2 Backlash P2	j _t	Arcmin	≤5							≤7										
扭转刚度 Torsional stiffness	C _{t21}	Nm/Arcmin	25																	
最大轴向力 ⁽²⁾ Maximum axial force	F _{2AMax}	N	3350																	
最大径向力 ⁽²⁾ Maximum radial force	F _{2RMax}	N	6700																	
工作效率 Work efficiency	η	%	97							94										
工作寿命 ⁽³⁾ Service life	L _h	h	20000																	
噪音(i=10和n ₁ =3000rpm, 空载) Noise(i=10 and n ₁ =3000rpm, no load)	L _{PA}	DB(A)	≤63																	
重量 Weight	m	Kg	8.7							10										
安装方向 Installation direction			任意方向/Any direction																	
使用温度 ⁽⁴⁾ Operating temperature	°C		-10-90																	
润滑方式 Lubrication method			终生润滑/Lifetime lubrication																	
防护等级 Protection level			IP65																	
转动惯量 Moment of inertia 按减速机输入直径(mm) Input diameter based on the reducer (mm)	19	J ₁	Kgcm ²	3.5	3	2.6	2.2	2	1.8	1.6	1.5	0.7	0.7	0.7	0.7	0.7	0.7	0.6	0.5	0.5
	24	J ₁	Kgcm ²	4.8	4.6	4.5	4	3.5	3	2.7	2.5	2	1.8	1.8	1.7	1.7	1.6	1.4	1.4	1.4
	35	J ₁	Kgcm ²	11.5	10.5	10	10	9.9	9.9	9.6	9.5	2.2	2.1	2.1	2	2	1.9	1.8	1.8	1.7

1. 可选其他减速比
2. 输出轴中心点
3. 连续运转时, 使用寿命为10000h
4. 对温度有特殊要求请与法斯頓联系

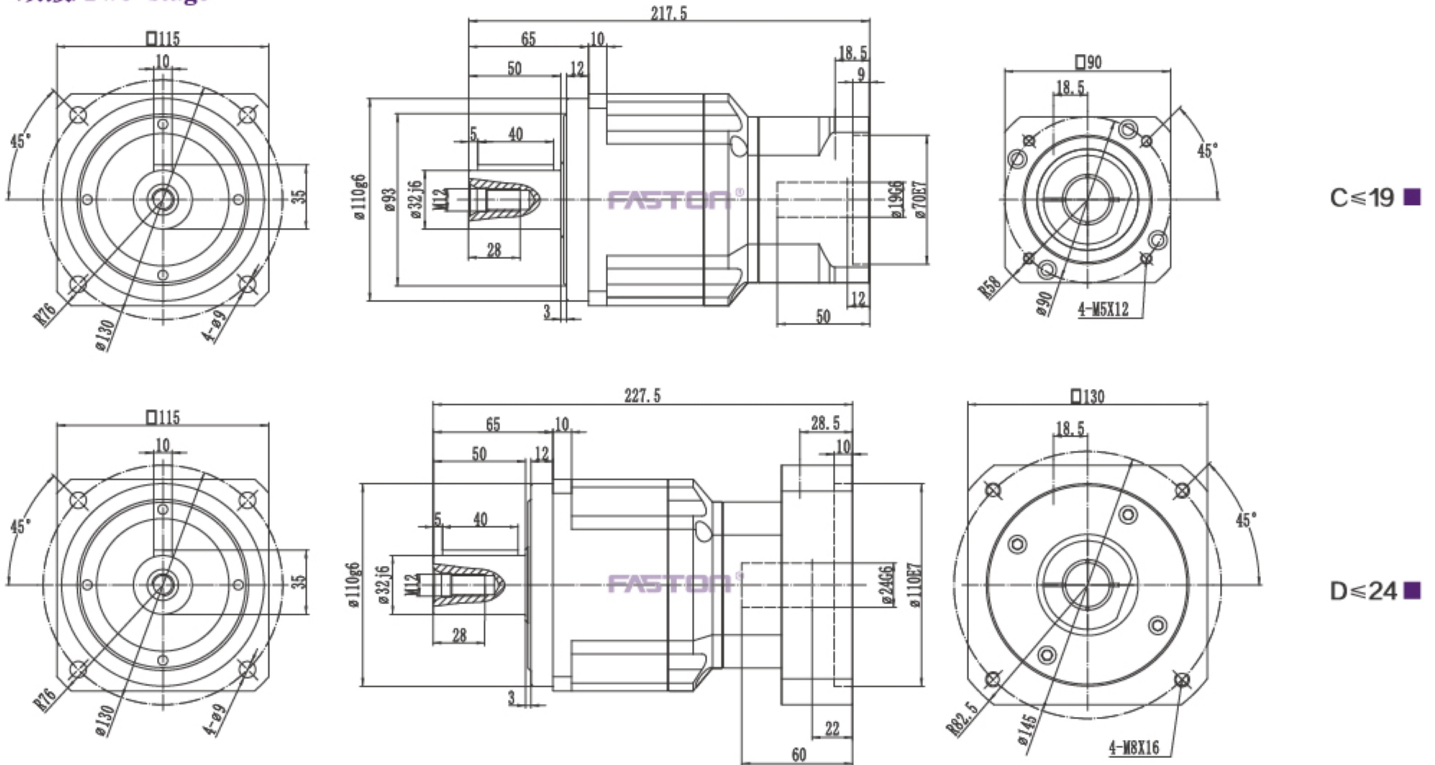
1. Optional other ratio
2. Output shaft center point
3. Service life of 10000h in continuous operation
4. For special requirements on temperature, please contact FASTON

减速机性能资料 REDUCER PERFORMANCE DATA

单级/One-stage



双级/Two-stage



- (1) 请参照马达轴径尺寸
 - (2) 马达轴最长长度, 如有特殊的马达轴尺寸, 请与法斯顿联络
 - (3) 减速机输入端尺寸, 依马达的法兰面而定
- *如无适合的尺寸, 请与法斯顿联系

- (1) Please refer to the motor shaft diameter
 - (2) Motor shaft length, for special motor shaft size, please contact FASTON
 - (3) Reducer input size, depending on the flange surface of the motor
- *If no suitable size available, please contact FASTON

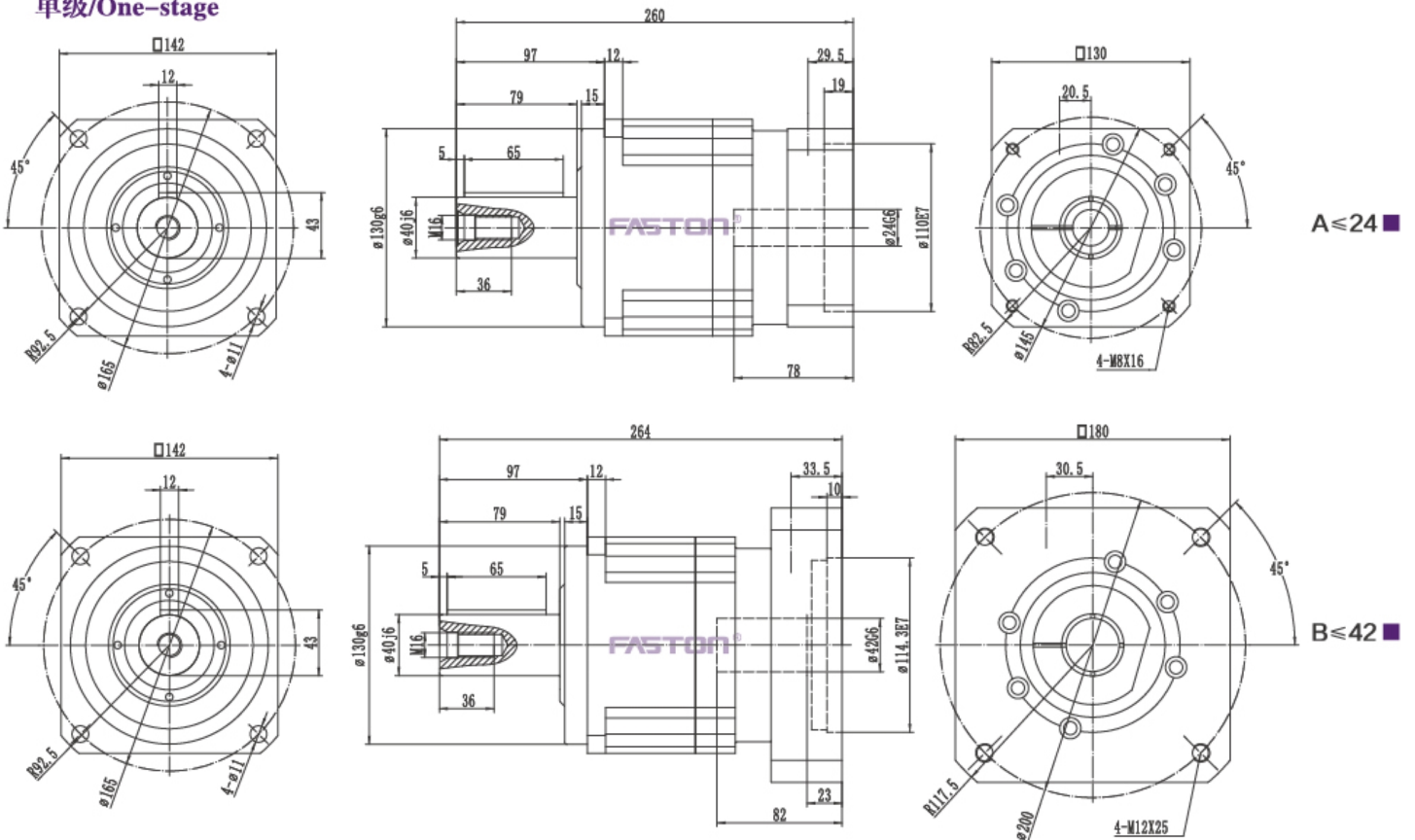
FKB142			单级/One-stage								双级/Two-stage									
速比 ⁽¹⁾ Speed ratio	i		3	4	5	6	7	8	9	10	12	16	20	25	35	40	50	70	100	
额定输出力矩(n _{1N}) Rated output torque	T _{2N}	Nm	342	542	650	550	550	500	450	450	342	543	542	650	550	542	650	550	450	
紧急制动力矩 Emergency braking torque (在减速机工作寿命内允许1000次) (1000 times during the working life of the reducer)	T _{2NOT}	Nm	3倍额定输出力矩/3 Times rated output torque																	
额定输入转速(T _{2n} , 20°C环境温度) Rated input speed (T _{2n} , 20 °C ambient temperature)	n _{1N}	rpm	3000																	
最大输入转速 Maximum input speed	n _{1max}	rpm	6000																	
空载力矩(nl=3000rpm, 20°C环境温度) No-load torque (nl=3000 RPM, 20°C ambient temperature)	T ₀₁₂	Nm	8	6	4.7	4.5	3.5	2.5	2.5	2.5	3.5	2.8	2.6	2.2	2.0	1.9	1.8	1.6	1.5	
回程间隙PS Backlash PS	j _t	Arcmin	≤1								≤2									
回程间隙P0 Backlash P0	j _t	Arcmin	≤2								≤3									
回程间隙P1 Backlash P1	j _t	Arcmin	≤3								≤5									
回程间隙P2 Backlash P2	j _t	Arcmin	≤5								≤7									
扭转刚度 Torsional stiffness	C _{t21}	Nm/Arcmin	50																	
最大轴向力 ⁽²⁾ Maximum axial force	F _{2AMax}	N	4700																	
最大径向力 ⁽²⁾ Maximum radial force	F _{2RMax}	N	9400																	
工作效率 Work efficiency	η	%	97								94									
工作寿命 ⁽³⁾ Service life	L _n	h	20000																	
噪音(i=10和n1=3000rpm, 空载) Noise(i=10 and n1=3000rpm, no load)	L _{PA}	DB(A)	≤65																	
重量 Weight	m	Kg	16								20									
安装方向 Installation direction			任意方向/Any direction																	
使用温度 ⁽⁴⁾ Operating temperature	°C		-10-90																	
润滑方式 Lubrication method			终生润滑/Lifetime lubrication																	
防护等级 Protection level			IP65																	
转动惯量 Moment of inertia 按减速机输入直径(mm) Input diameter based on the reducer(mm)	24	J ₁	Kgcm ²	10.5	8	8	7.2	7	6.5	5.8	5.5	2.6	2.2	2	1.7	1.7	1.6	1.4	1.4	1.4
	35	J ₁	Kgcm ²	14.5	12	11	10	10	9.5	9.5	9	3.3	3.2	3	2.9	2.7	2.5	2.3	2.2	2
	42	J ₁	Kgcm ²	26	25	24.5	24.1	23.5	23	22.5	22	14.5	12	11	10	140	9.5	9.5	9	9

1. 可选其他减速比
2. 输出轴中心点
3. 连续运转时, 使用寿命为10000h
4. 对温度有特殊要求请与法斯頓联系

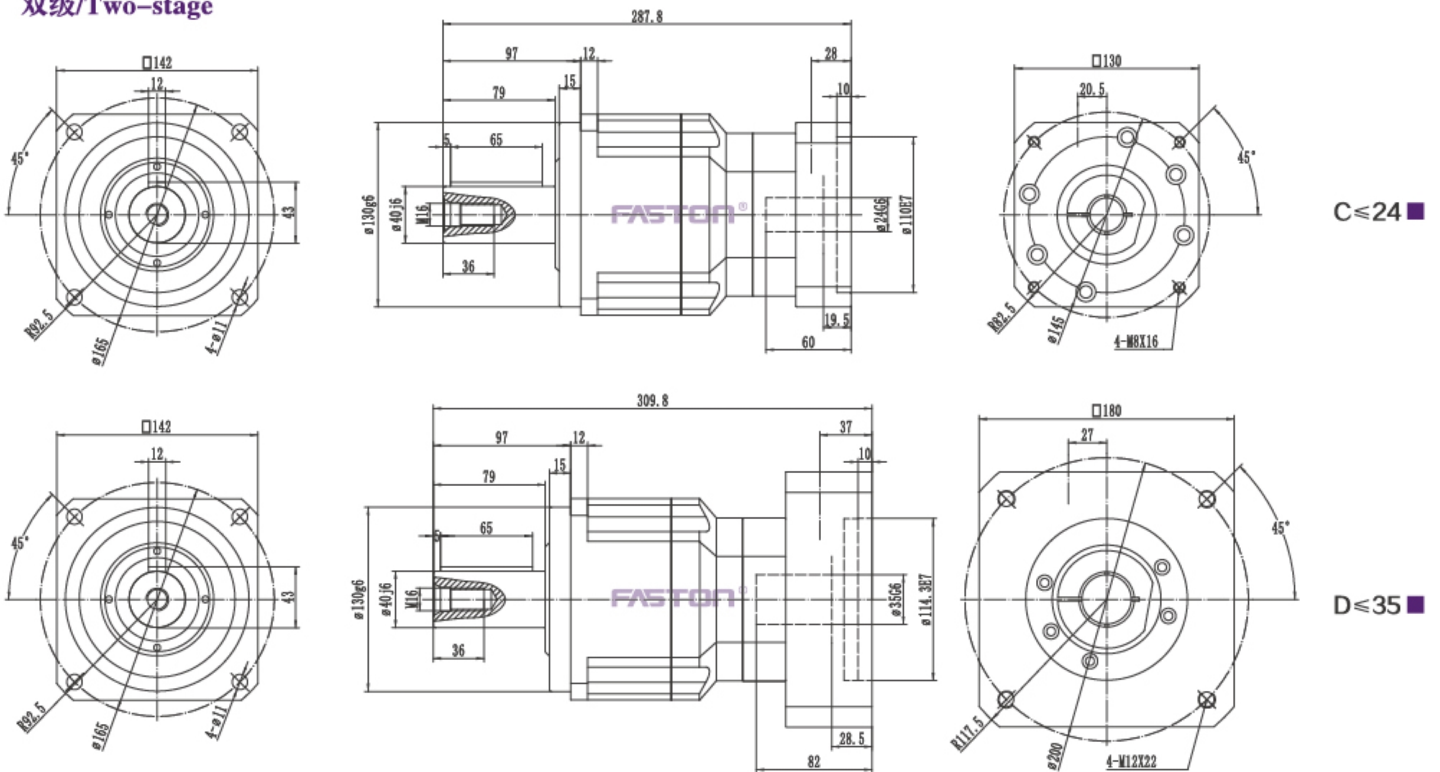
1. Optional other ratio
2. Output shaft center point
3. Service life of 10000h in continuous operation
4. For special requirements on temperature, please contact FASTON

减速机性能资料 REDUCER PERFORMANCE DATA

单级/One-stage



双级/Two-stage



- (1) 请参照马达轴径尺寸
 - (2) 马达轴最长长度, 如有特殊的马达轴尺寸, 请与法斯頓联络
 - (3) 减速机输入端尺寸, 依马达的法兰面而定
- *如无适合的尺寸, 请与法斯頓联系

- (1) Please refer to the motor shaft diameter
 - (2) Motor shaft length, for special motor shaft size, please contact FASTON
 - (3) Reducer input size, depending on the flange surface of the motor
- *If no suitable size available, please contact FASTON

减速机性能资料 REDUCER PERFORMANCE DATA

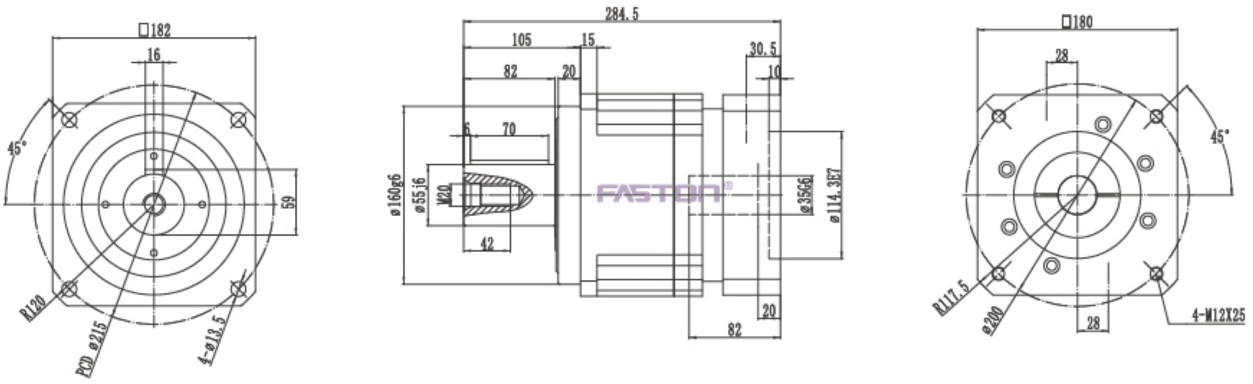
FKB180			单级/One-stage								双级/Two-stage									
速比 ⁽¹⁾ Speed ratio	i		3	4	5	6	7	8	9	10	12	16	20	25	35	40	50	70	100	
额定输出力矩(n _{1N}) Rated output torque	T _{2N}	Nm	750	1050	1200	1100	1100	1000	900	900	750	1050	1050	1200	1100	1020	1200	1100	900	
紧急制动力矩 Emergency braking torque (在减速机使用寿命内允许1000次) (1000 times during the working life of the reducer)	T _{2NOT}	Nm	3倍额定输出力矩/3 Times rated output torque																	
额定输入转速(T _{2N} , 20°C环境温度) Rated input speed (T _{2N} , 20 °C ambient temperature)	n _{1N}	rpm	3000																	
最大输入转速 Maximum input speed	n _{1max}	rpm	6000																	
空载力矩(nl=3000rpm, 20°C环境温度) No-load torque (nl=3000 RPM, 20°C ambient temperature)	T ₀₁₂	Nm	15	13	12	11	9	7.5	6.5	5.5	14	11	11	9	9	8	7	6.8	5	
回程间隙PS Backlash PS	j _t	Arcmin	≤1								≤2									
回程间隙P0 Backlash P0	j _t	Arcmin	≤2								≤3									
回程间隙P1 Backlash P1	j _t	Arcmin	≤3								≤5									
回程间隙P2 Backlash P2	j _t	Arcmin	≤5								≤7									
扭转刚度 Torsional stiffness	C _{t21}	Nm/Arcmin	145																	
最大轴向力 ⁽²⁾ Maximum axial force	F _{2AMax}	N	7250																	
最大径向力 ⁽²⁾ Maximum radial force	F _{2RMax}	N	14500																	
工作效率 Work efficiency	η	%	97								94									
工作寿命 ⁽³⁾ Service life	L _h	h	20000																	
噪音(i=10和n1=3000rpm, 空载) Noise(i=10 and nl=3000rpm, no load)	L _{PA}	DB(A)	≤67																	
重量 Weight	m	Kg	31								39									
安装方向 Installation direction			任意方向/Any direction																	
使用温度 ⁽⁴⁾ Operating temperature		°C	-10~90																	
润滑方式 Lubrication method			终生润滑/Lifetime lubrication																	
防护等级 Protection level			IP65																	
转动惯量 Moment of inertia 按减速机输入直径(mm) Input diameter based on the reducer (mm)	35	J ₁	Kgcm ²	49	35	30	25	23	22	20	19	9.5	9	8.8	8.2	7.9	7.5	6.8	6.2	5.5
	42	J ₁	Kgcm ²	52	41	37	36	55	32	32	28	12	11.4	10.9	10.2	9.8	9.7	9.3	9.0	8.5
	55	J ₁	Kgcm ²	66	50	44	42	40	38	38	36	13	12.1	11	10.5	10.2	10	9.9	9.8	9.5

1. 可选其他减速比
2. 输出轴中心点
3. 连续运转时, 使用寿命为10000h
4. 对温度有特殊要求请与法斯頓联系

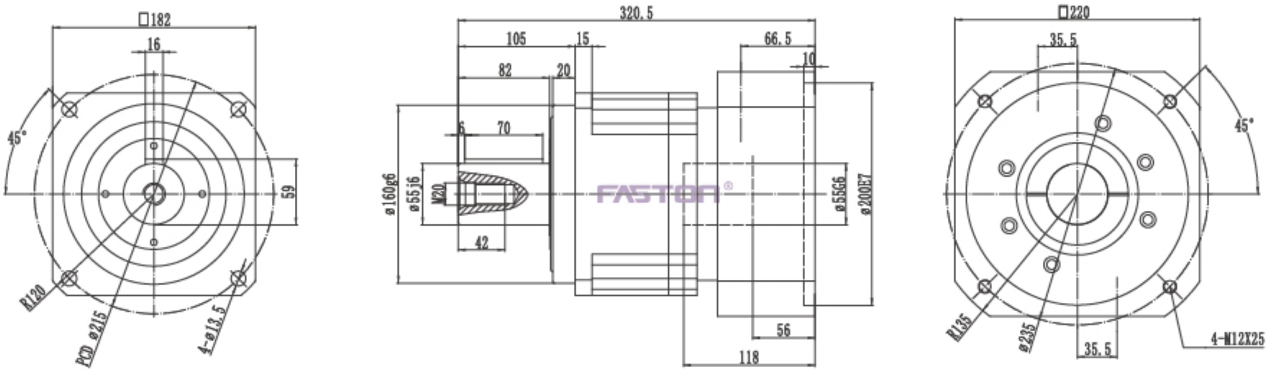
1. Optional other ratio
2. Output shaft center point
3. Service life of 10000h in continuous operation
4. For special requirements on temperature, please contact FASTON

减速机性能资料 REDUCER PERFORMANCE DATA

单级/One-stage

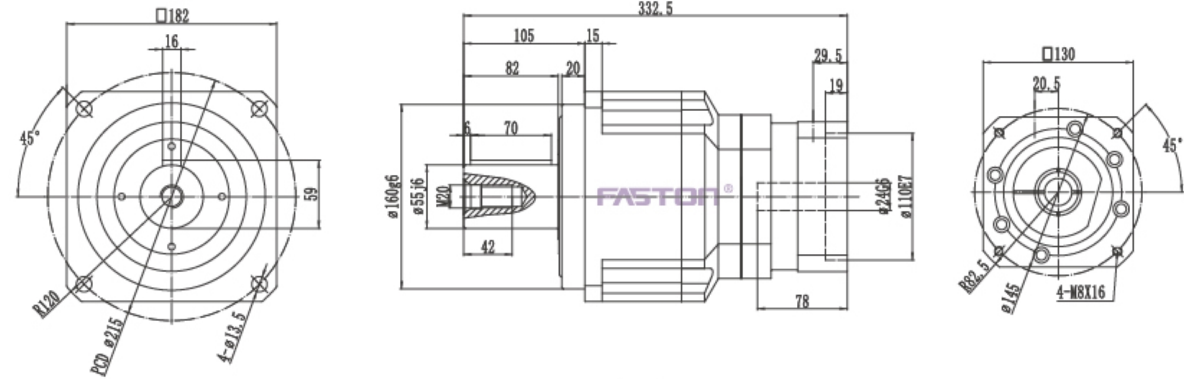


A ≤ 35 ■

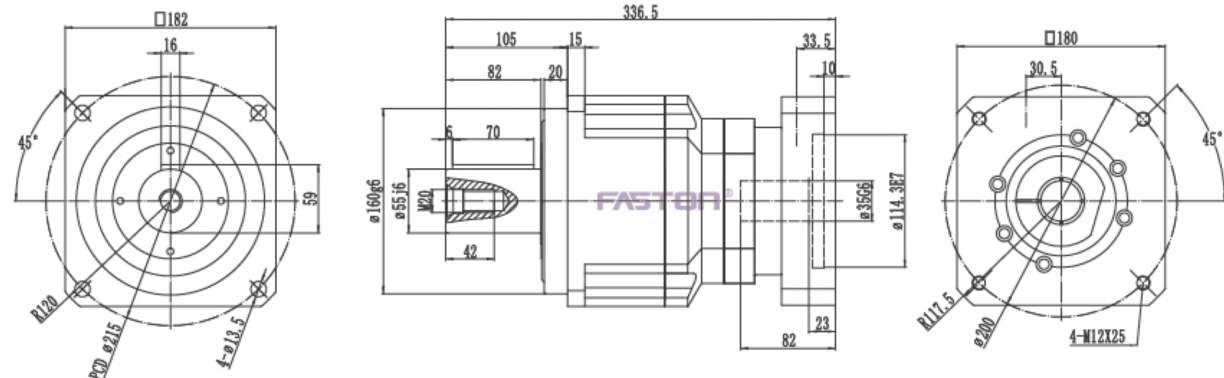


B ≤ 55 ■

双级/Two-stage



C ≤ 24 ■



D ≤ 35 ■

- (1) 请参照马达轴尺寸
 - (2) 马达轴最长长度, 如有特殊的马达轴尺寸, 请与法斯顿联络
 - (3) 减速机输入端尺寸, 依马达的法兰面而定
- *如无适合的尺寸, 请与法斯顿联系

- (1) Please refer to the motor shaft diameter
 - (2) Motor shaft length, for special motor shaft size, please contact FASTON
 - (3) Reducer input size, depending on the flange surface of the motor
- *If no suitable size available, please contact FASTON

减速机性能资料 REDUCER PERFORMANCE DATA

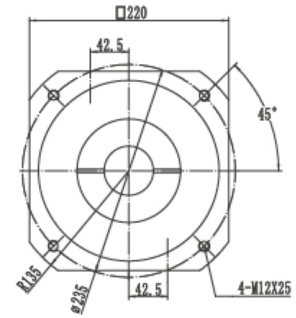
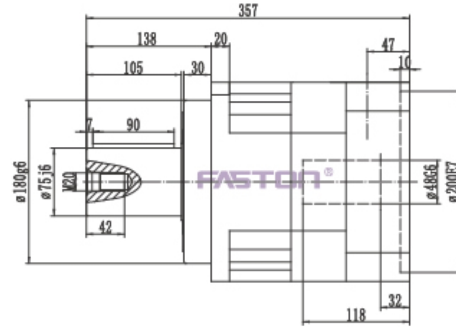
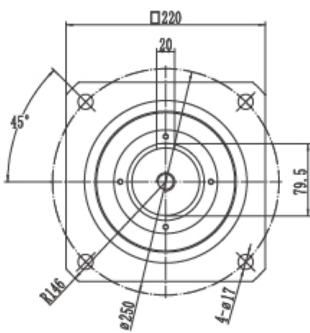
FKB220			单级/One-stage								双级/Two-stage									
速比 ⁽¹⁾ Speed ratio	i		3	4	5	6	7	8	9	10	12	16	20	25	35	40	50	70	100	
额定输出力矩(n _{1N}) Rated output torque	T _{2N}	Nm	1140	1700	2000	1800	1800	1600	1500	1500	1140	1700	1700	2000	1800	1700	2000	1800	1500	
紧急制动力矩 (在减速机工作寿命内允许1000次) (1000 times during the working life of the reducer)	T _{2NOT}	Nm	3倍额定输出力矩/3 Times rated output torque																	
额定输入转速(T _{2N} , 20°C环境温度) Rated input speed (T _{2N} , 20 °C ambient temperature)	n _{1N}	rpm	2000																	
最大输入转速 Maximum input speed	n _{1max}	rpm	4000																	
空载力矩(n ₁ =3000rpm, 20°C环境温度) No-load torque (n ₁ =3000 RPM, 20°C ambient temperature)	T ₀₁₂	Nm	33	22	17	8	6	5	4.5	3.5	14	11	11	9	9	8	7	6.8	5	
回程间隙PS Backlash PS	j _t	Arcmin	≤1								≤2									
回程间隙P0 Backlash P0	j _t	Arcmin	≤2								≤3									
回程间隙P1 Backlash P1	j _t	Arcmin	≤3								≤5									
回程间隙P2 Backlash P2	j _t	Arcmin	≤5								≤7									
扭转刚度 Torsional stiffness	C ₁₂₁	Nm/Arcmin	225																	
最大轴向力 ⁽²⁾ Maximum axial force	F _{2AMax}	N	14000																	
最大径向力 ⁽²⁾ Maximum radial force	F _{2RMax}	N	30000																	
工作效率 Work efficiency	η	%	97								94									
工作寿命 ⁽³⁾ Service life	L _h	h	20000																	
噪音(i=10和n ₁ =3000rpm, 空载) Noise(i=10 and n ₁ =3000rpm, no load)	L _{PA}	DB(A)	≤70																	
重量 Weight	m	Kg	48								62									
安装方向 Installation direction			任意方向/Any direction																	
使用温度 ⁽⁴⁾ Operating temperature	°C		-10-90																	
润滑方式 Lubrication method			终生润滑/Lifetime lubrication																	
防护等级 Protection level			IP65																	
转动惯量 Moment of inertia	42	J ₁	Kgcm ²	80	70	68	65	55	52	45	40	18	16	15.5	14	14	13	12	10.8	9.5
按减速机输入直径(mm) Input diameter based on the reducer(mm)	55	J ₁	Kgcm ²	130	95	77	75	68	65	60	55	30	28	27	26.5	25.5	24	23	21	19.5

1. 可选其他减速比
2. 输出轴中心点
3. 连续运转时, 使用寿命为10000h
4. 对温度有特殊要求请与法斯頓联系

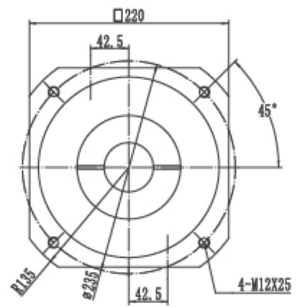
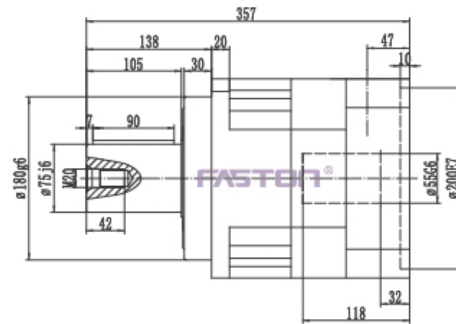
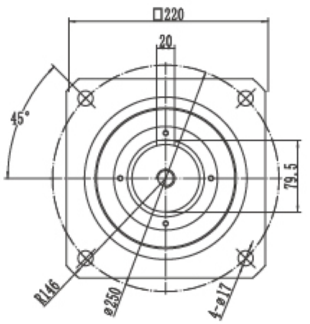
1. Optional other ratio
2. Output shaft center point
3. Service life of 10000h in continuous operation
4. For special requirements on temperature, please contact FASTON

减速机性能资料 REDUCER PERFORMANCE DATA

单级/One-stage

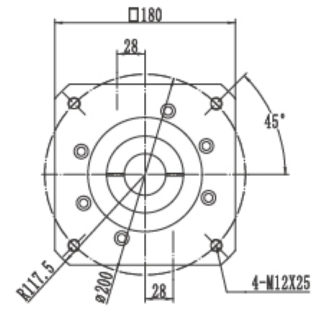
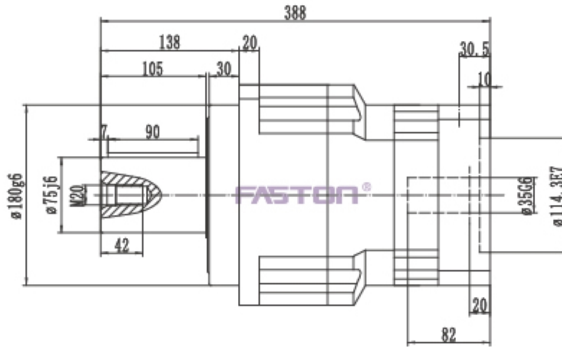
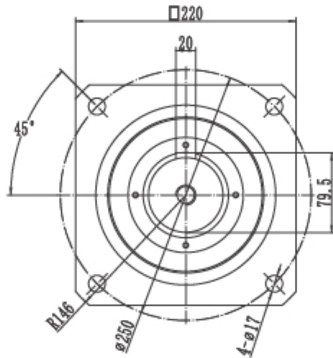


A ≤ 48 ■

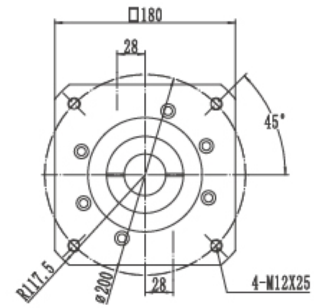
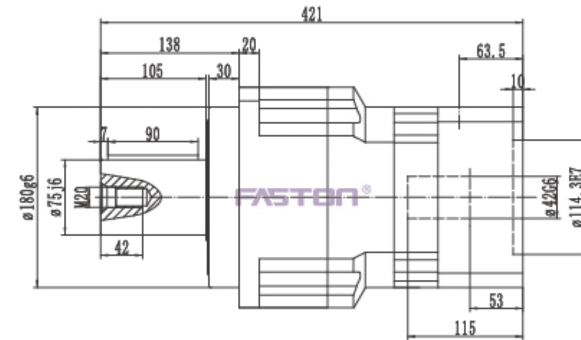
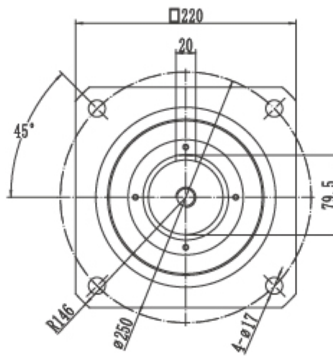


B ≤ 55 ■

双级/Two-stage



C ≤ 35 ■



D ≤ 42 ■

- (1) 请参照马达轴径尺寸
 (2) 马达轴最长长度, 如有特殊的马达轴尺寸, 请与法斯頓联系
 (3) 减速机输入端尺寸, 依马达的法兰面而定
 *如无适合的尺寸, 请与法斯頓联系

- (1) Please refer to the motor shaft diameter
 (2) Motor shaft length, for special motor shaft size, please contact FASTON
 (3) Reducer input size, depending on the flange surface of the motor
 *If no suitable size available, please contact FASTON

减速机性能资料 REDUCER PERFORMANCE DATA

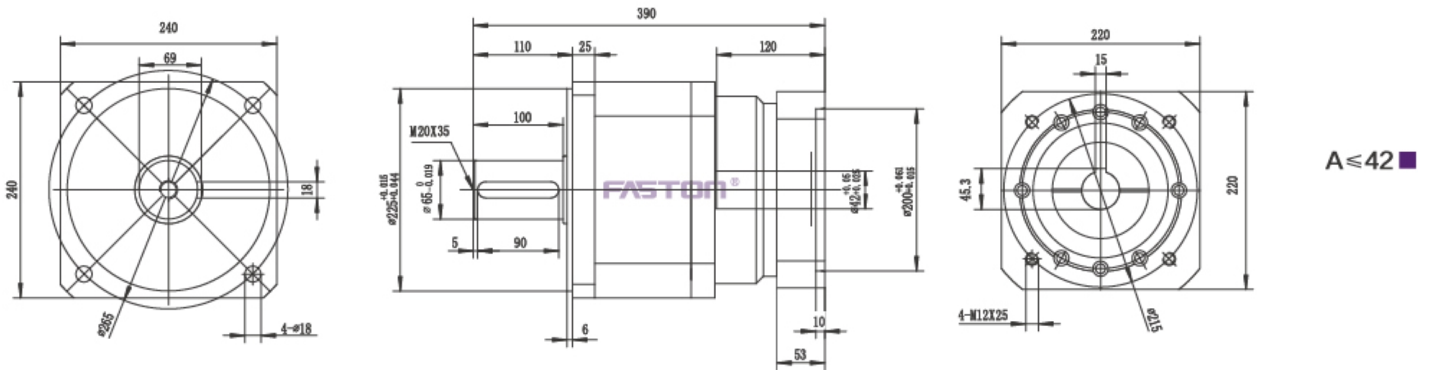
FKB240		单级/One-stage				双级/Two-stage										三级/Three-stage											
速比 ⁽¹⁾ Speed ratio	i	3	4	5	8	9	12	15	16	20	25	32	40	50	64	60	64	80	100	120	125	160	200	250	320	400	500
额定输出力矩(n _{1N}) Rated output torque	T _{2N} Nm	1600	3500	2640	1480	1840	1840	1840	3710	3710	2805	3710	2805	2805	1500	1950	3950	3950	3950	1950	3000	3950	3950	3000	3950	3950	3000
紧急制动力矩 (在减速机使用寿命内允许1000次) Emergency braking torque (1000 times during the working life of the reducer)	T _{2NOT} Nm	2倍额定输出力矩/2 Times rated output torque																									
额定输入转速(T _{2n} , 20°C环境温度) Rated input speed (T _{2n} , 20 °C ambient temperature)	n _{1N} rpm	1500																									
最大输入转速 Maximum input speed	n _{1max} rpm	3000																									
回程间隙P1 Backlash P1	j _t Arcmin	≤ 12				≤ 15										≤ 18											
扭转刚度 Torsional stiffness	C _{t21} Nm/Arcmin	123.3																									
最大轴向力 ⁽²⁾ Maximum axial force	F _{2AMax} N	8000																									
最大径向力 ⁽²⁾ Maximum radial force	F _{2RMMax} N	10500																									
工作寿命 ⁽³⁾ Service life	L _h h	20000																									
噪音(i=10和n1=3000rpm, 空载) Noise(i=10 and n1=3000rpm, no load)	L _{PA} DB(A)	≤ 70																									
工作效率 Work efficiency	η %	≥ 97				≥ 94										≥ 91											
重量 Weight	m Kg	50				65										72											
安装方向 Installation direction		任意方向/Any direction																									
使用温度 ⁽⁴⁾ Operating temperature	°C	-10~90																									
润滑方式 Lubrication method		终生润滑/Lifetime lubrication																									
防护等级 Protection level		IP65																									
转动惯量 Moment of inertia 按减速机输入直径(mm) Input diameter based on the reducer(mm)	J ₁ Kgcm ²	15.6	16.3	15.4	16.1	15.9	15.9	15.9	15.0	15.0	15.0	15.7	16.1	15.2	14.3	7.5	7.5	7.5	7.4	7.3	7.2	6.5	6.2	5.4	5.7	5.2	5.1

1. 可选其他减速比
2. 输出轴中心点
3. 连续运转时, 使用寿命为10000h
4. 对温度有特殊要求请与法斯頓联系

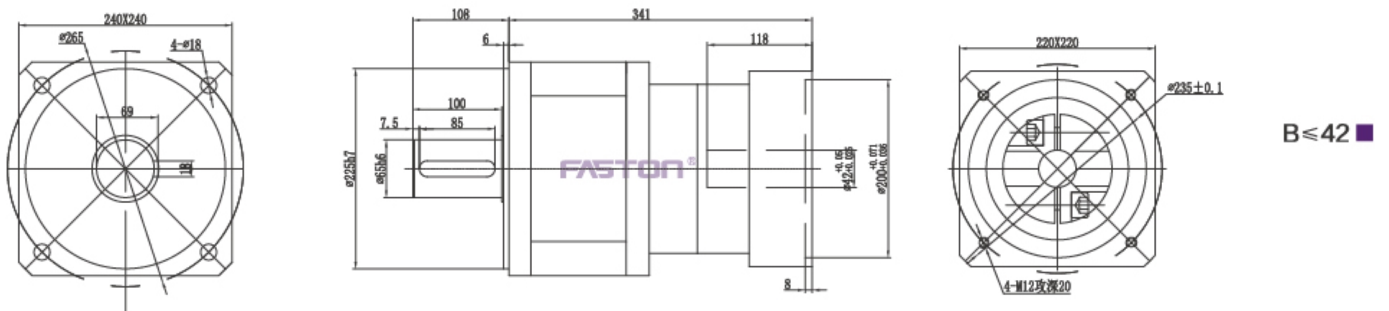
1. Optional other ratio
2. Output shaft center point
3. Service life of 10000h in continuous operation
4. For special requirements on temperature, please contact FASTON

减速机性能资料 REDUCER PERFORMANCE DATA

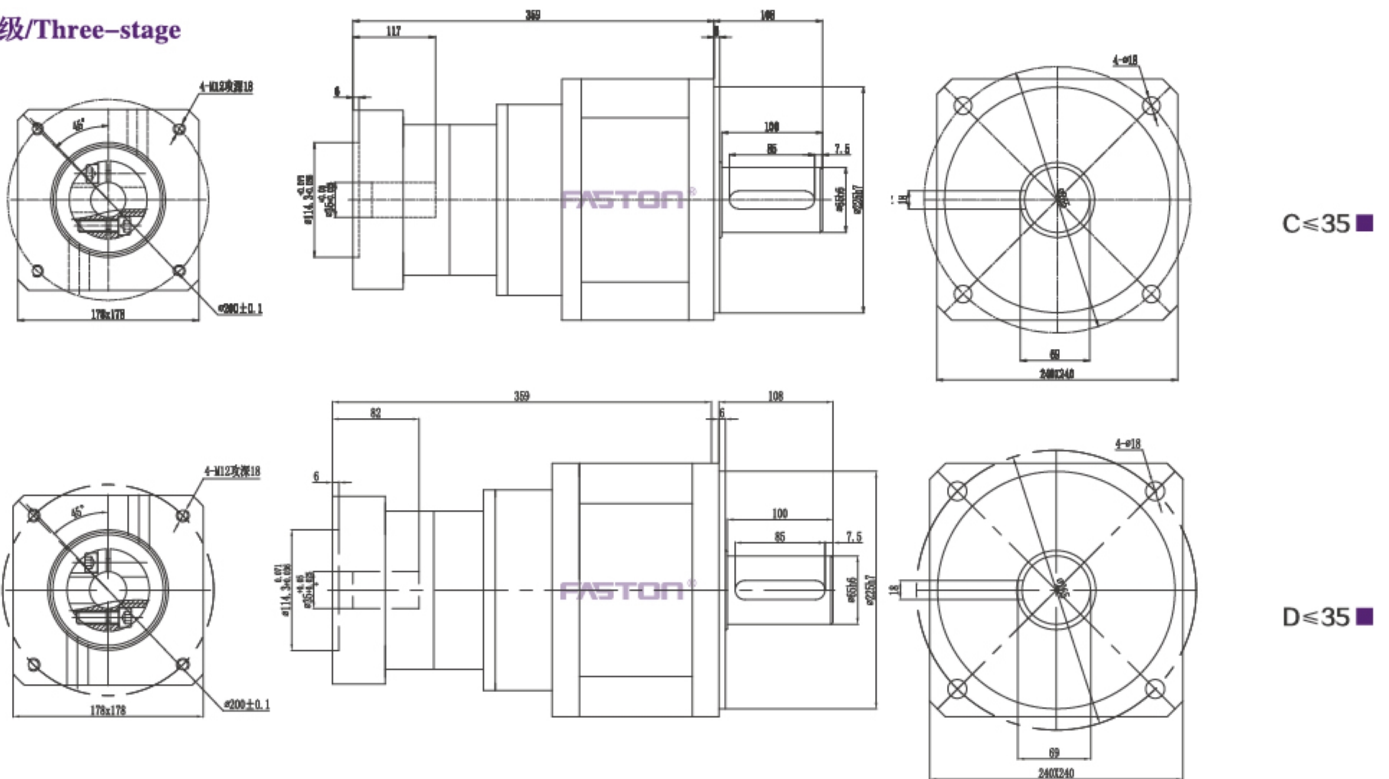
单级/One-stage



双级/Two-stage



三级/Three-stage



- (1) 请参照马达轴径尺寸
 - (2) 马达轴最长长度, 如有特殊的马达轴尺寸, 请与法斯頓联络
 - (3) 减速机输入端尺寸, 依马达的法兰面而定
- *如无适合的尺寸, 请与法斯頓联系

- (1) Please refer to the motor shaft diameter
 - (2) Motor shaft length, for special motor shaft size, please contact FASTON
 - (3) Reducer input size, depending on the flange surface of the motor
- *If no suitable size available, please contact FASTON

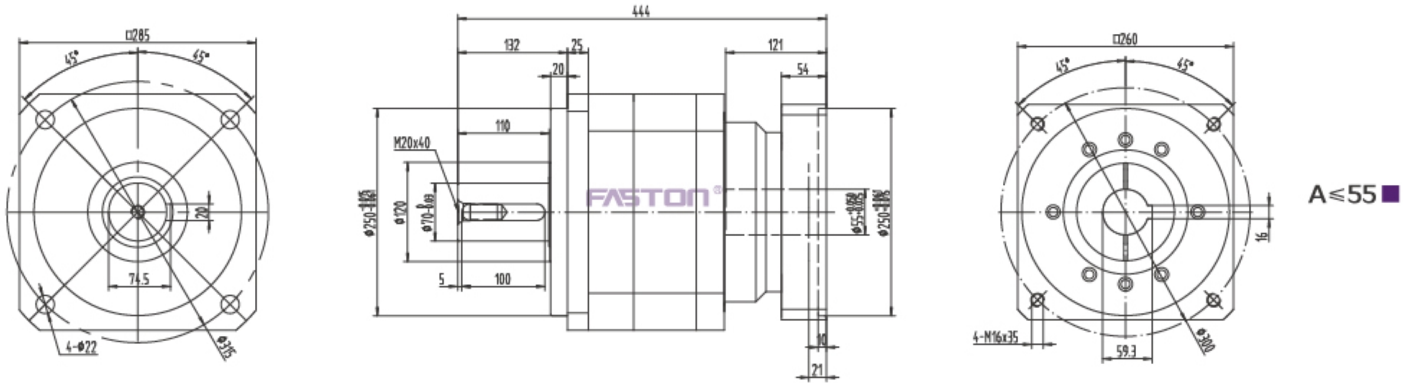
减速机性能资料 REDUCER PERFORMANCE DATA

FKB280		单级 One-stage			双级/Two-stage								三级/ Three-stage										
速比 ⁽¹⁾ Speed ratio	i	4	5	8	12	15	16	20	25	32	40	64	60	64	80	100	120	125	160	200	250	320	512
额定输出力矩(n _{1N}) Rated output torque	T _{2N} Nm	5800	4400	2595	4400	5200	6400	6400	4710	6400	4710	2650	6400	8130	8130	8130	5800	6030	8130	6030	6030	6030	2700
紧急制动力矩 Emergency braking torque (在减速机工作寿命内允许1000次) (1000 times during the working life of the reducer)	T _{2NOT} Nm	2倍额定输出力矩/2 Times rated output torque																					
额定输入转速(T _{2N} , 20°C环境温度) Rated input speed (T _{2N} , 20 °C ambient temperature)	n _{1N} rpm	1500																					
最大输入转速 Maximum input speed	n _{1max} rpm	3000																					
回程间隙P1 Backlash P1	j ₁ Arcmin	≤15			≤18								≤22										
扭转刚度 Torsional stiffness	C ₁₂₁ Nm/Arcmin	213.3																					
最大轴向力 ⁽²⁾ Maximum axial force	F _{2Amax} N	12000																					
最大径向力 ⁽²⁾ Maximum radial force	F _{2Rmax} N	15000																					
工作寿命 ⁽³⁾ Service life	L _h h	20000																					
噪音 (i=10和n1=3000rpm, 空载) Noise (i=10 and n1=3000rpm, no load)	L _{PA} DB(A)	≤73																					
工作效率 Work efficiency	η %	≥97			≥94								≥91										
重量 Weight	m Kg	110			135								145										
安装方向 Installation direction		任意方向/Any direction																					
使用温度 ⁽⁴⁾ Operating temperature	°C	-10~90																					
润滑方式 Lubrication method		终生润滑/Lifetime lubrication																					
防护等级 Protection level		IP65																					
转动惯量 Moment of inertia 按减速机输入直径(mm) Input diameter based on the reducer (mm)	J ₁ Kgcm ²	40.2	39.9	34.5	18.8	18.8	18.8	18.8	18.8	16.8	16.6	15.2	17.7	17.8	14.8	14.8	14.8	13.54	13.54	13.54	13.5	13.3	10.5

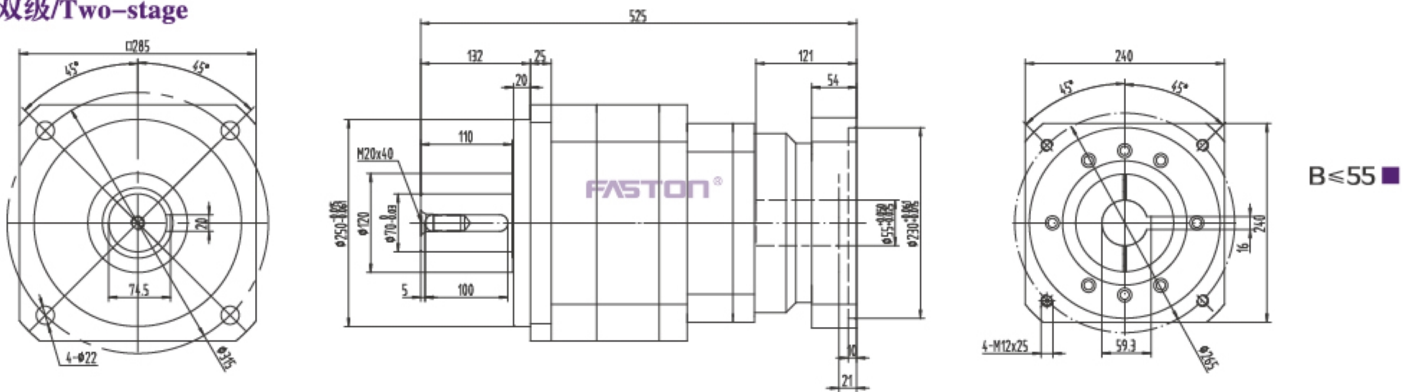
1. 可选其他减速比
2. 输出轴中心点
3. 连续运转时, 使用寿命为10000h
4. 对温度有特殊要求请与法斯頓联系

1. Optional other ratio
2. Output shaft center point
3. Service life of 10000h in continuous operation
4. For special requirements on temperature, please contact FASTON

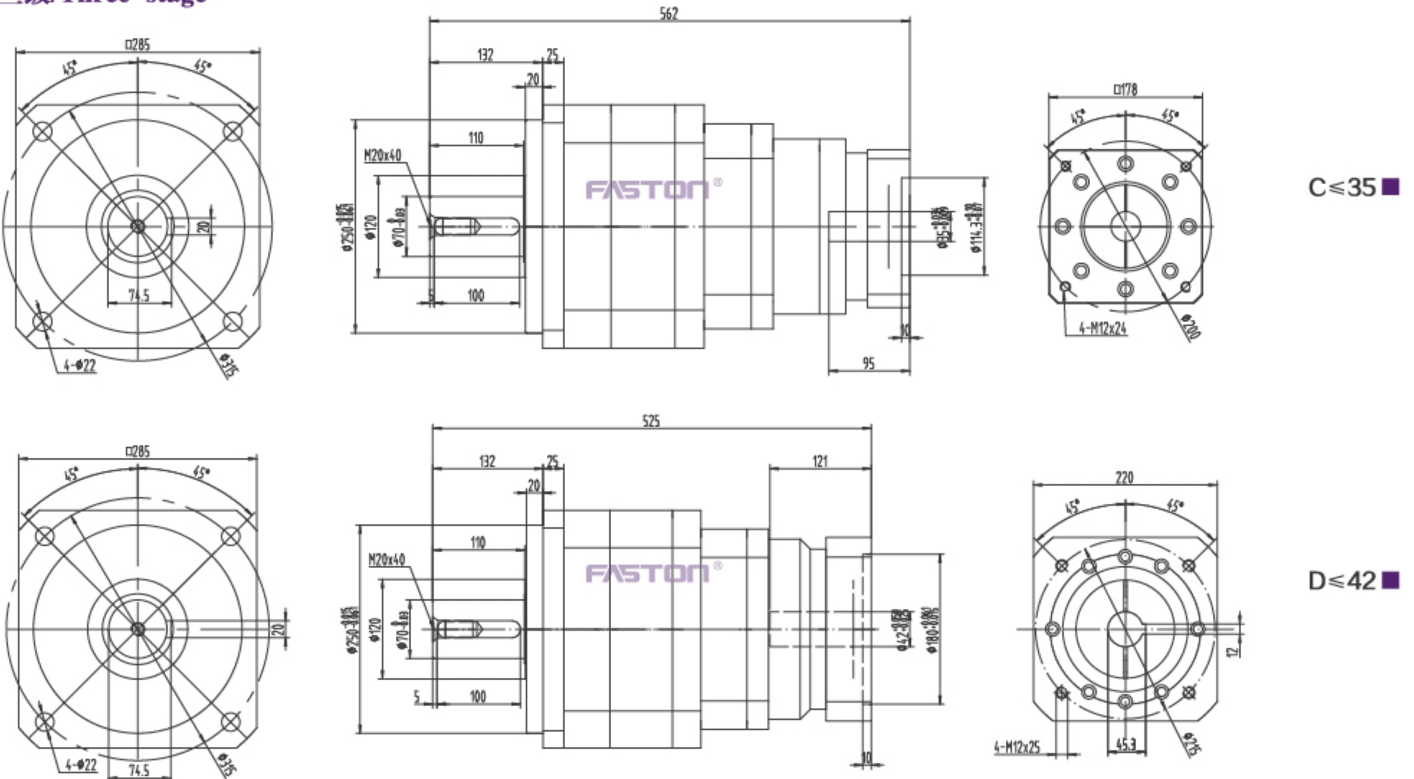
单级/One-stage



双级/Two-stage



三级/Three-stage



(1) 请参照马达轴径尺寸
 (2) 马达轴最长长度, 如有特殊的马达轴尺寸, 请与法斯頓联络
 (3) 减速机输入端尺寸, 依马达的法兰面而定
 *如无适合的尺寸, 请与法斯頓联系

(1) Please refer to the motor shaft diameter
 (2) Motor shaft length, for special motor shaft size, please contact FASTON
 (3) Reducer input size, depending on the flange surface of the motor
 *If no suitable size available, please contact FASTON

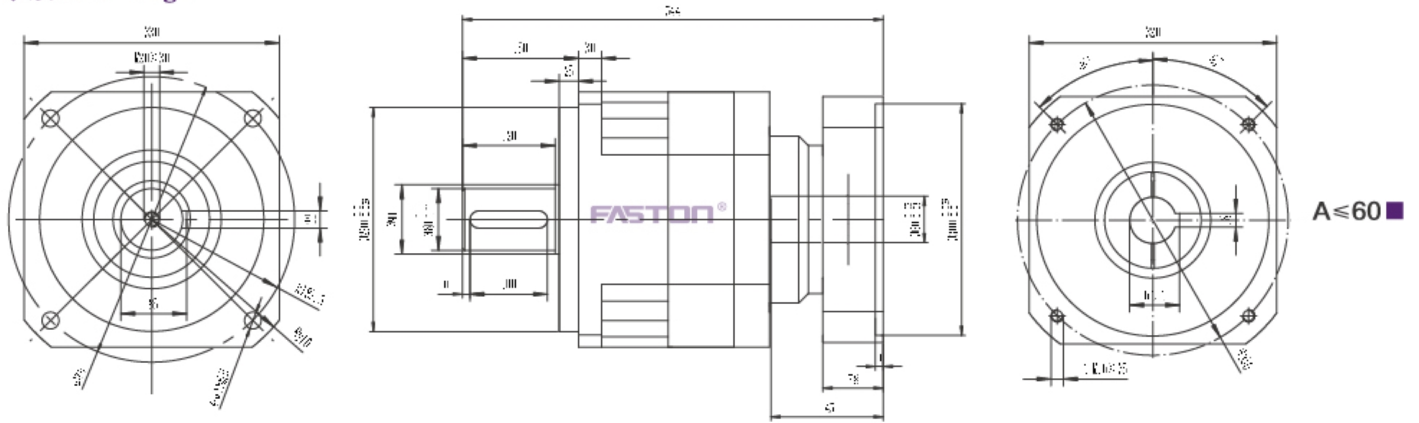
减速机性能资料 REDUCER PERFORMANCE DATA

FKB330			单级 One-stage				双级/Two-stage								三级/ Three-stage									
速比 ⁽¹⁾ Speed ratio	i		4	5	8	12	15	16	20	25	32	40	64	60	64	80	100	120	125	160	200	250	320	512
额定输出力矩(n _{1N}) Rated output torque	T _{2N}	Nm	10190	7180	4080	10000	8800	10800	10800	7550	10800	7550	4500	10800	13700	13700	13700	9800	9800	13700	9800	8800	9800	5230
紧急制动力矩(Emergency braking torque) (在减速机使用寿命内允许1000次) (1000 times during the working life of the reducer)	T _{2NOT}	Nm	2倍额定输出力矩/2 Times rated output torque																					
额定输入转速(T _{2N} , 20°C环境温度) Rated input speed (T _{2N} , 20 °C ambient temperature)	n _{1N}	rpm	1500																					
最大输入转速 Maximum input speed	n _{1max}	rpm	3000																					
回程间隙P1 Backlash P1	i _t	Arcmin	≤ 15				≤ 18								≤ 22									
扭转刚度 Torsional stiffness	C ₂₁	Nm/Arcmin	339																					
最大轴向力 ⁽²⁾ Maximum axial force	F _{2AMax}	N	15000																					
最大径向力 ⁽²⁾ Maximum radial force	F _{2RMMax}	N	17000																					
工作寿命 ⁽³⁾ Service life	L _h	h	20000																					
噪音(i=10和n1=3000rpm, 空载) Noise(i=10 and n1=3000rpm, no load)	L _{PA}	DB(A)	≤ 75																					
工作效率 Work efficiency	η	%	≥ 97				≥ 94								≥ 91									
重量 Weight	m	Kg	160				180								192									
安装方向 Installation direction	任意方向/Any direction																							
使用温度 ⁽⁴⁾ Operating temperature	°C		-10~90																					
润滑方式 Lubrication method	终生润滑/Lifetime lubrication																							
防护等级 Protection level	IP65																							
转动惯量 Moment of inertia 按减速机输入直径(mm) Input diameter based on the reducer(mm)	J ₁	Kgcm ²	75.1	73.4	62.5	24.0	23.0	23.8	23.8	23.3	24.0	21.6	18.2	19.7	19.8	19.8	18.8	18.8	18.5	17.5	16.5	16.5	15.3	15.5

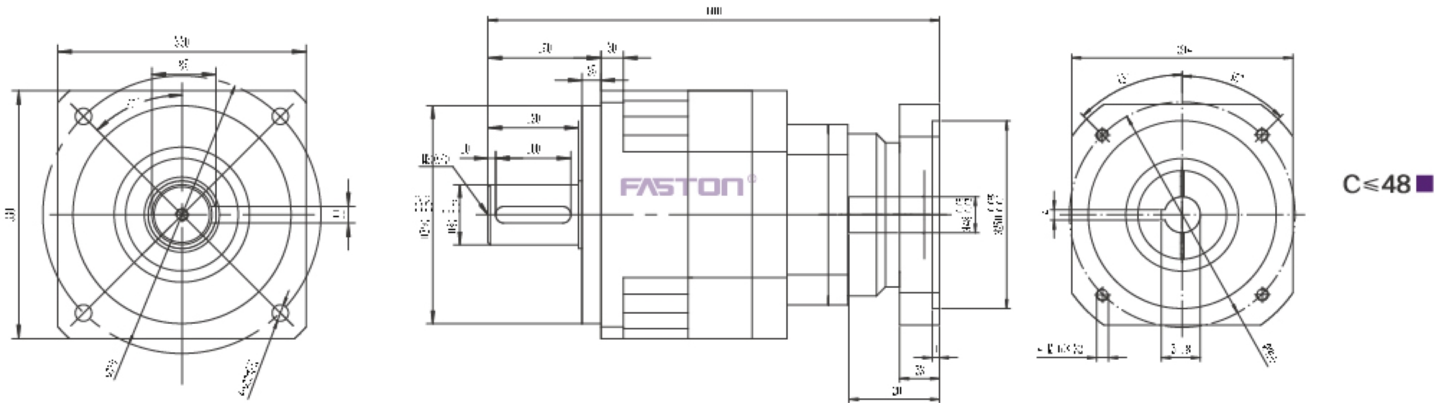
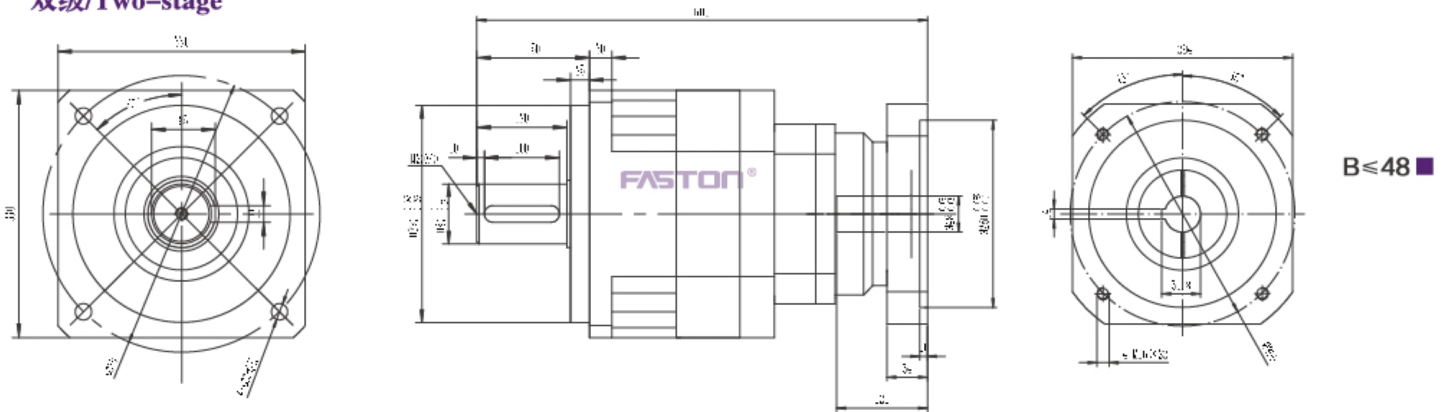
1. 可选其他减速比
2. 输出轴中心点
3. 连续运转时, 使用寿命为10000h
4. 对温度有特殊要求请与法斯頓联系

1. Optional other ratio
2. Output shaft center point
3. Service life of 10000h in continuous operation
4. For special requirements on temperature, please contact FASTON

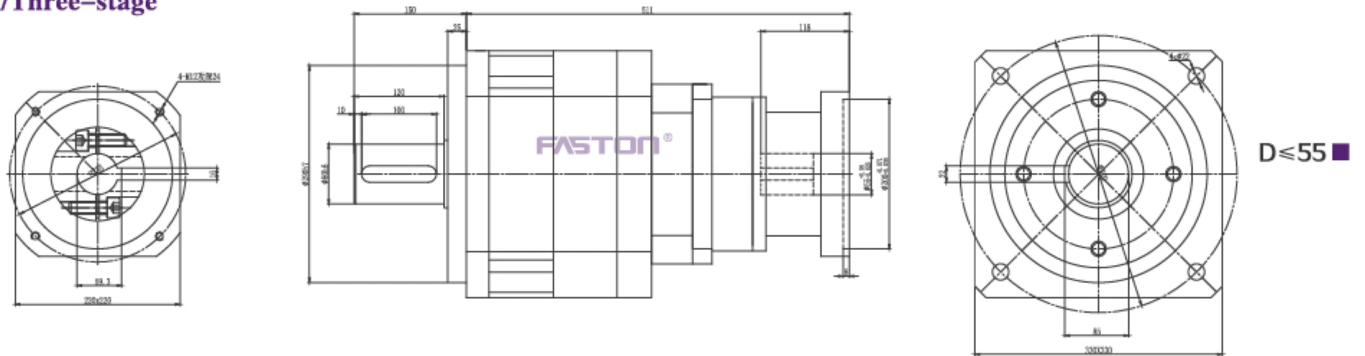
单级/One-stage



双级/Two-stage

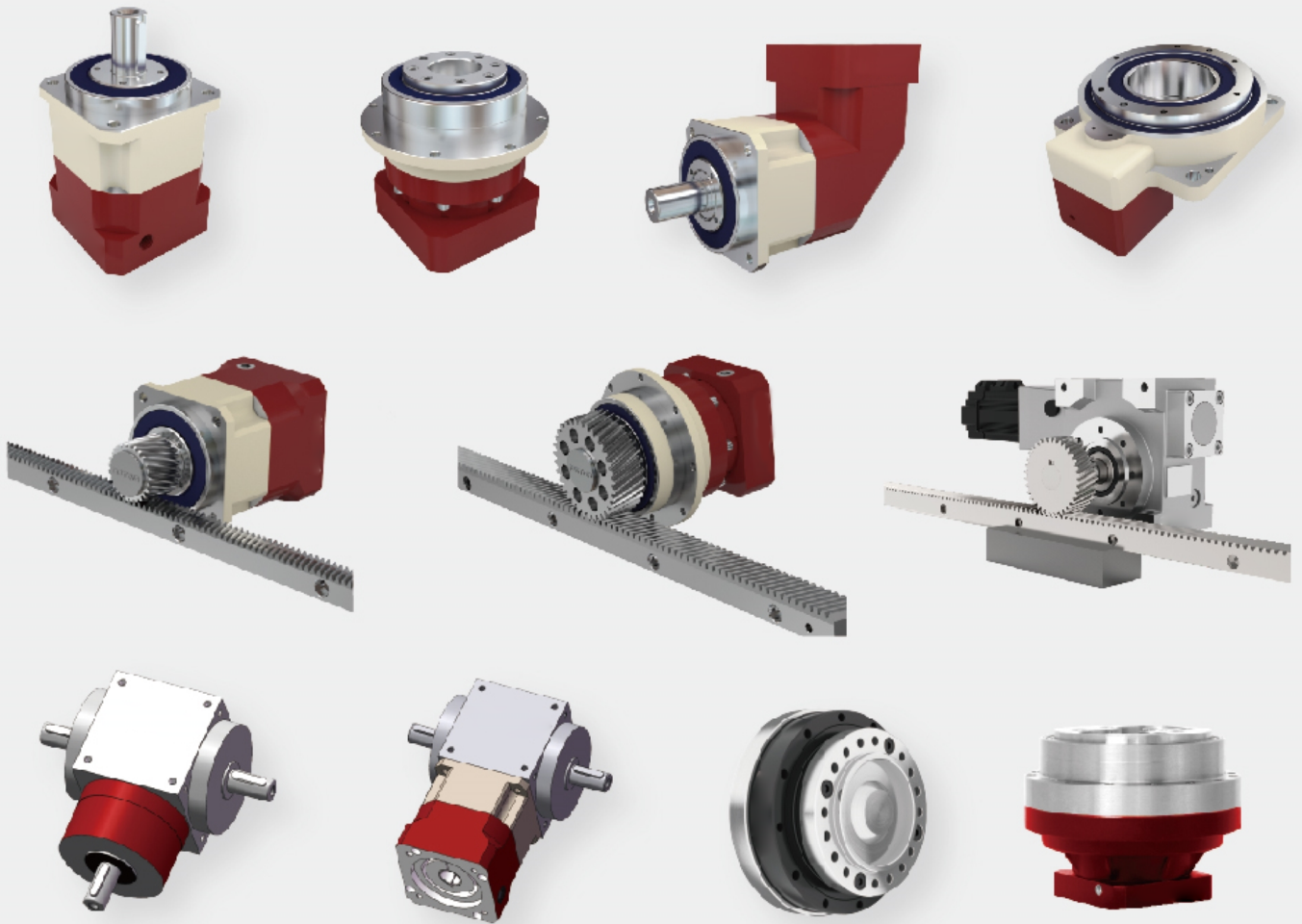


三级/Three-stage



- (1) 请参照马达轴径尺寸
 - (2) 马达轴最长长度, 如有特殊的马达轴尺寸, 请与法斯顿联络
 - (3) 减速机输入端尺寸, 依马达的法兰面而定
- *如无适合的尺寸, 请与法斯顿联系

- (1) Please refer to the motor shaft diameter
 - (2) Motor shaft length, for special motor shaft size, please contact FASTON
 - (3) Reducer input size, depending on the flange surface of the motor
- *If no suitable size available, please contact FASTON



東莞公司
Dongguan Company

東莞市精杰機電有限公司
地址：廣東省東莞市樟木頭石新東城四街23號
電話：13549217001 / 400-028-8380
聯系人：江先生13802379590
網址：www.jingjielw.com

Dongguan Jingjie Electromechanical Co., Ltd
Address: No.23, Xindongcheng Fourth Street, Zhangmutou,
Dongguan, Guangdong Province
Tel: 13549217001/400-028-8380
Contact person: Mr. Jiang 13802379590
Website: www.jingjielw.com



惠州公司
Huizhou Company

精杰機電（惠州）公司
地址：廣東惠州仲愷高新區陳江大道南19號
華廷悅府6棟1104室
電話：13549217001 / 400-028-8380
聯系人：劉小姐13802397290
網址：www.jingjielw.com

Jingjie Electromechanical (Huizhou) Co., Ltd
Address: No. 19, Chenjiang Avenue South, Zhongkai High tech Zone,
Huizhou, Guangdong Room 1104, Building 6, Huating Yuefu
Tel: 13549217001/400-028-8380
Contact: Miss Liu 13802397290
Website: www.jingjielw.com



精杰機電

東莞市精杰機電有限公司 | 廣東省東莞市樟木頭石新東城四街23號 | 電話：13549217001 / 400-028-8380 | 聯系人：江先生13802379590 | 網址：www.jingjielw.com

精杰機電（惠州）公司

廣東惠州仲愷高新區陳江大道南19號華廷悅府6棟1104室 | 電話：13549217001 / 400-028-8380 | 聯系人：劉小姐13802397290 | 網址：www.jingjielw.com

子機

副機

...